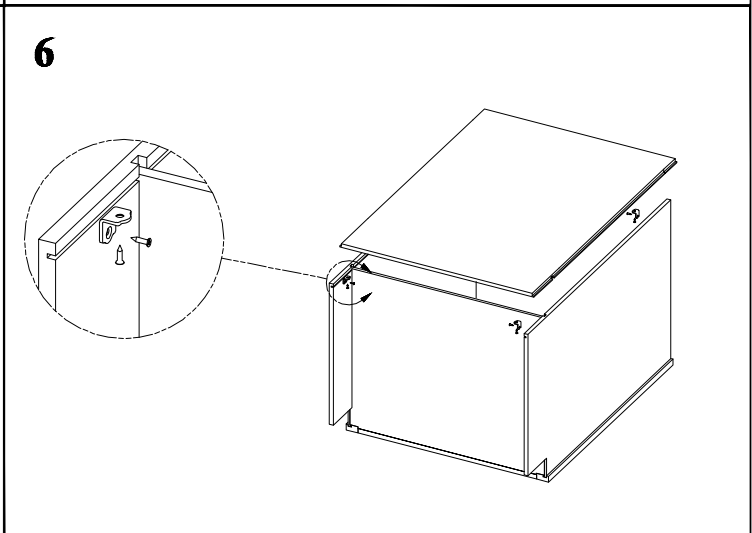
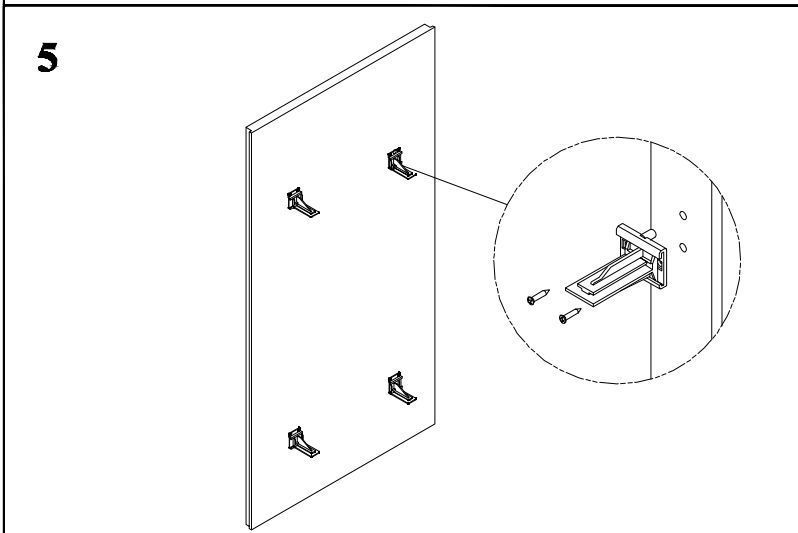
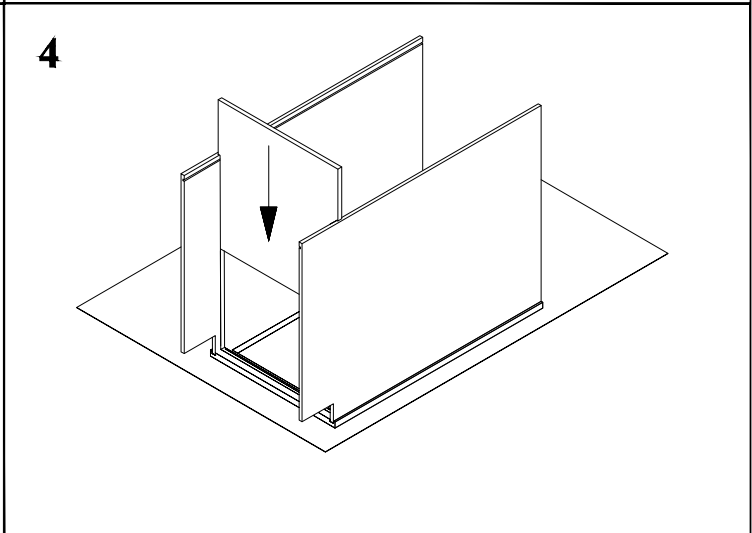
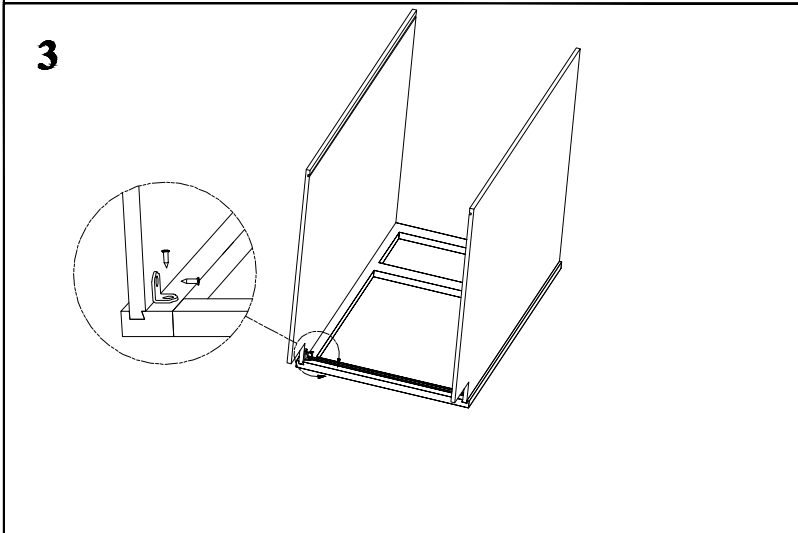
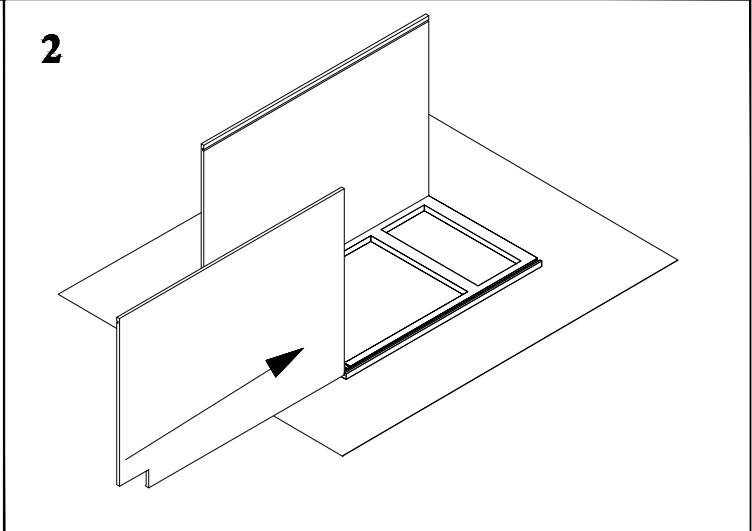
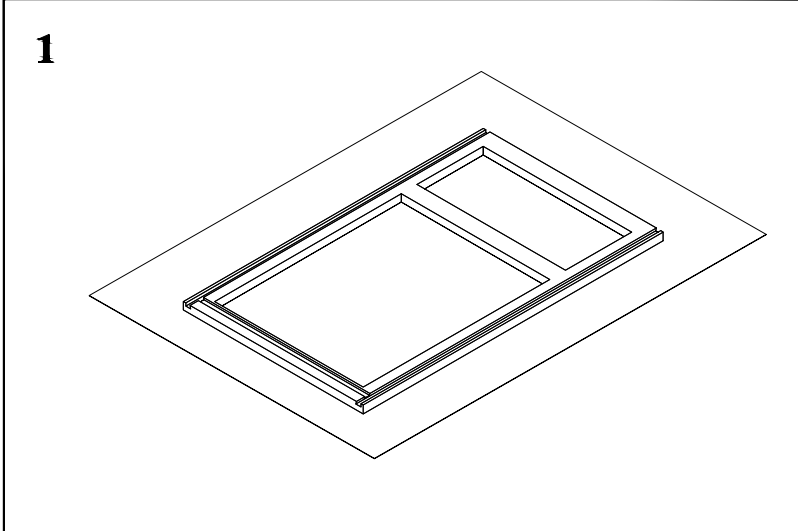
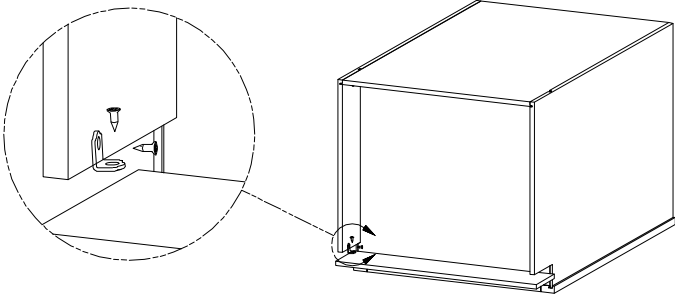




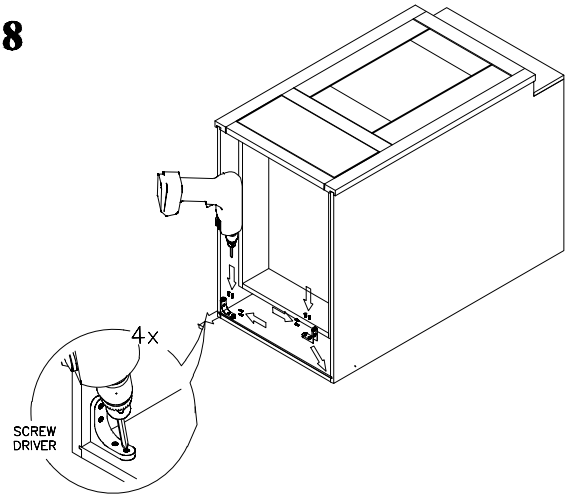
BWBK18-2(A) Assembly Instructions



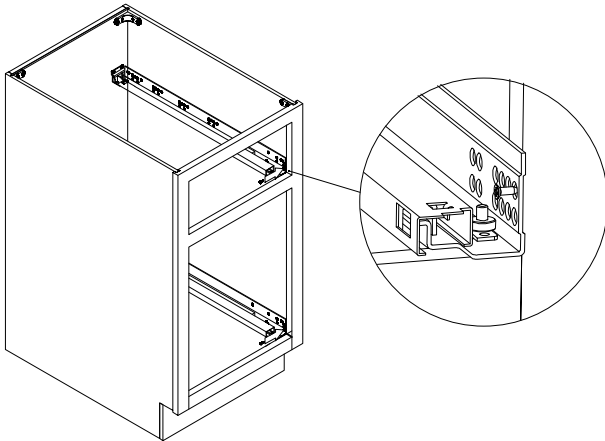
7



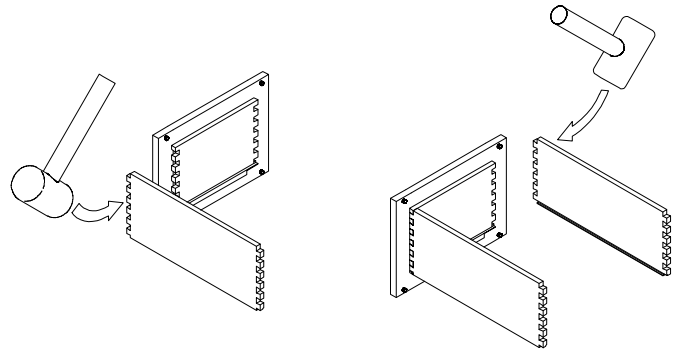
8



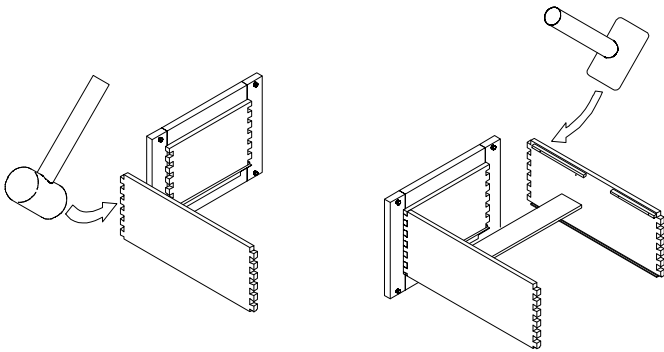
9



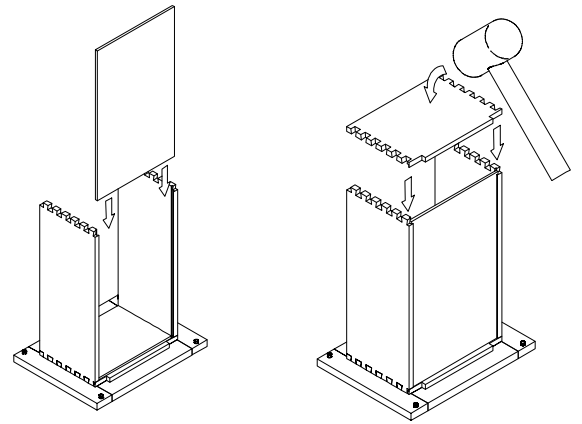
10



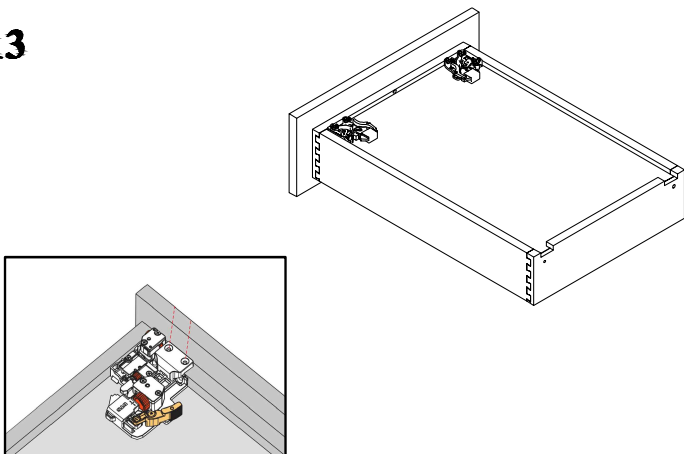
11



12

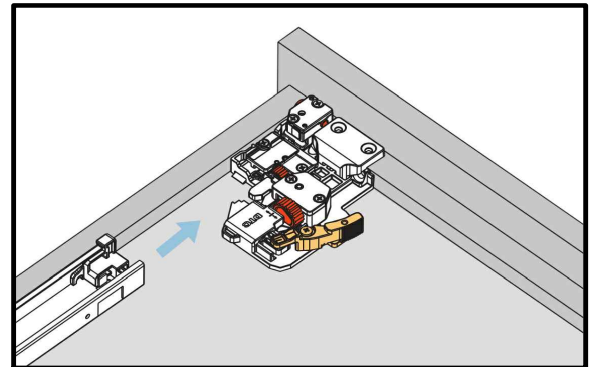


13



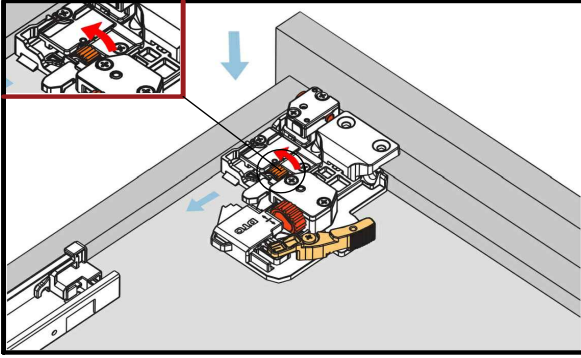
Put the adjusting part back on and tighten the screws.

14



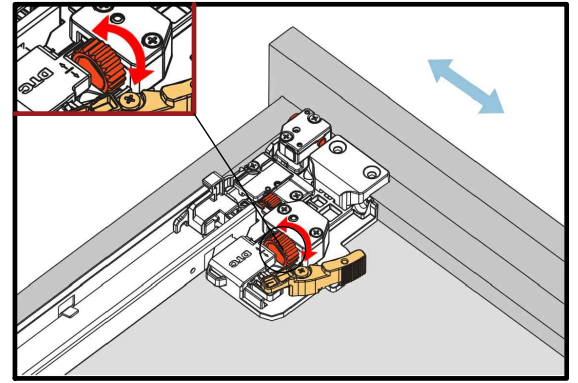
Lay the drawer bottom onto the slide then push the drawer into the cabinet.

15



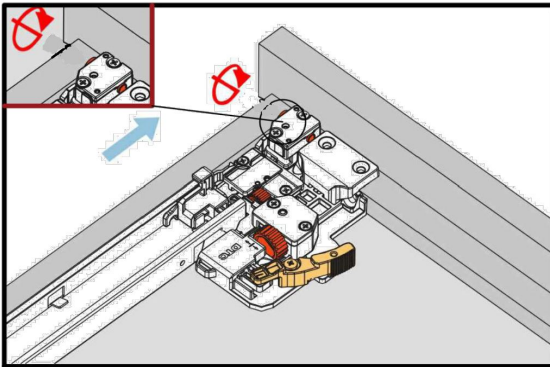
Up&Down adjustment

16



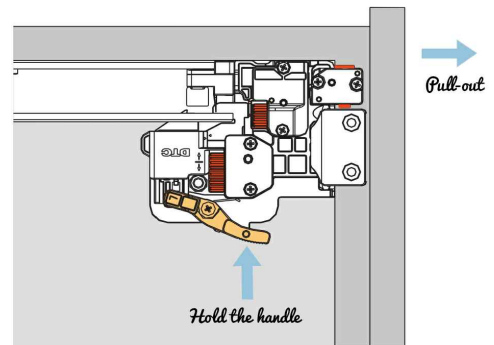
Side adjustment

17



Depth adjustment

18



Removal

19

