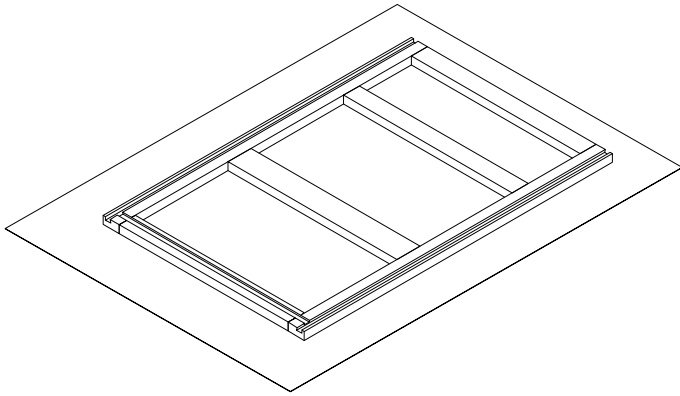


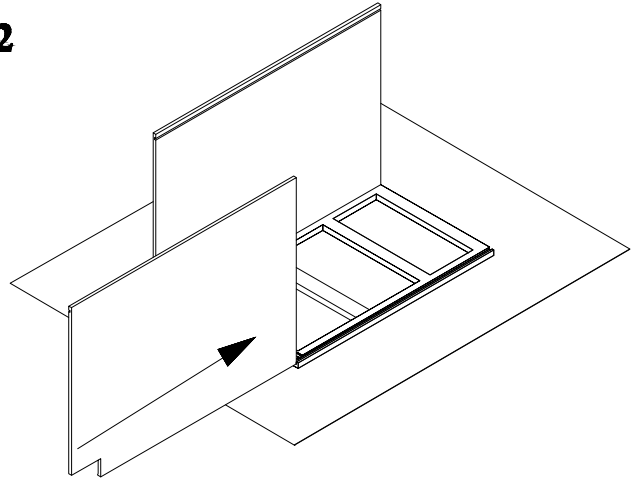


## DB Cabinets Assembly Instructions

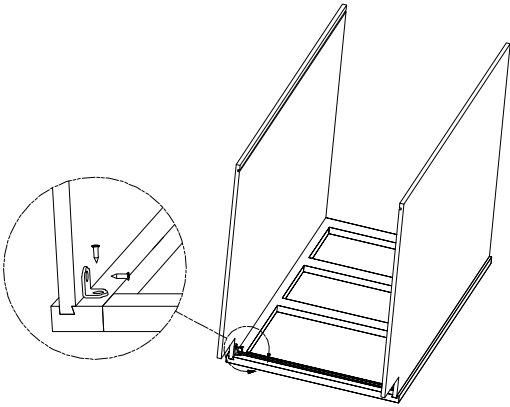
**1**



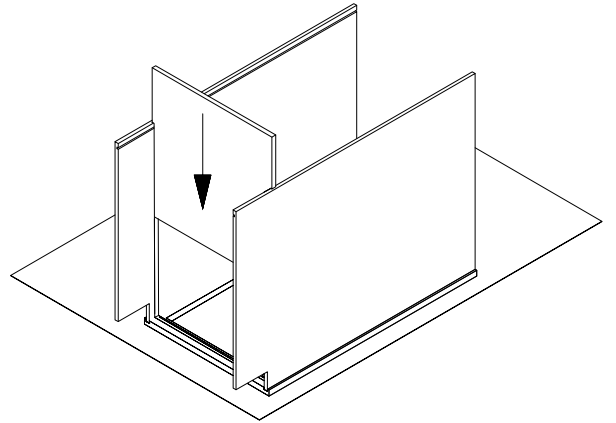
**2**



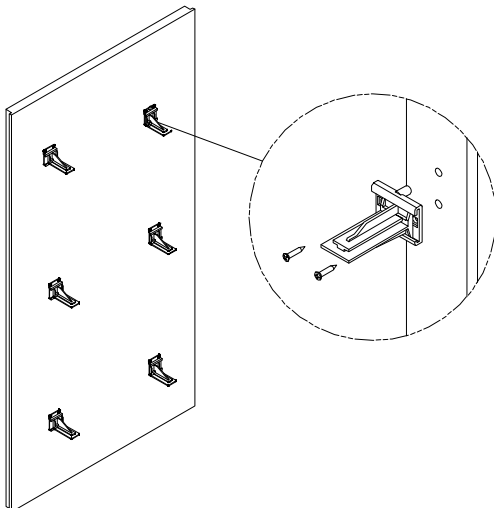
**3**



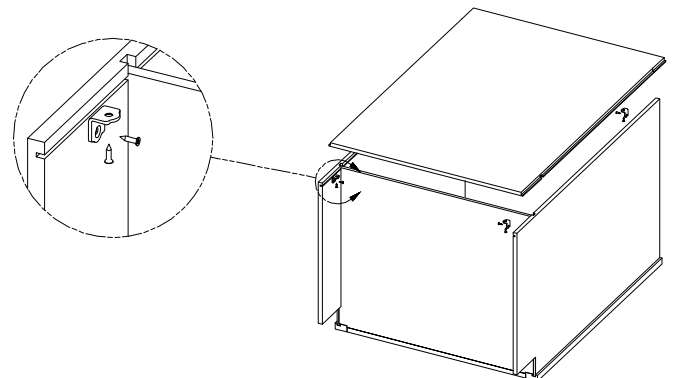
**4**



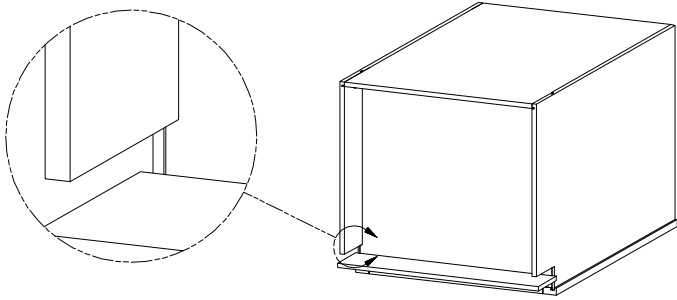
**5**



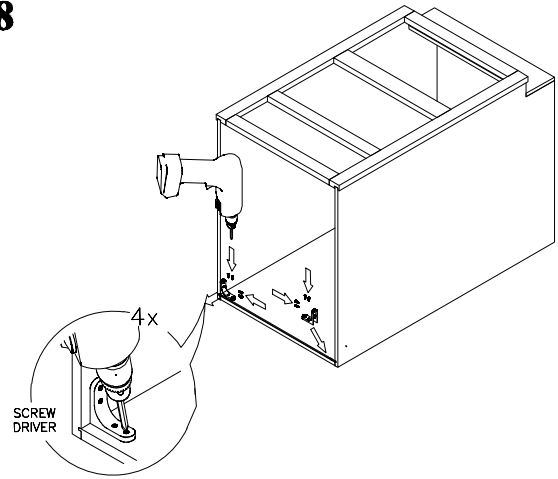
**6**



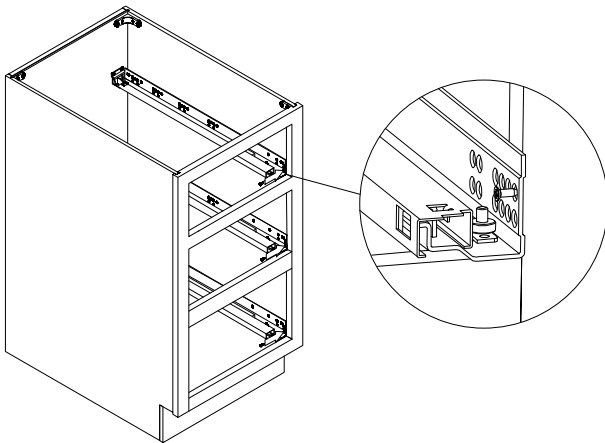
7



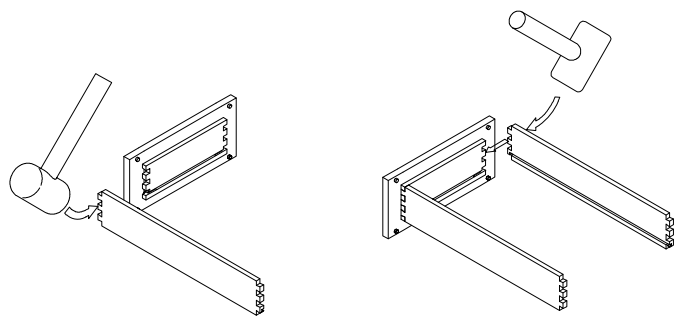
8



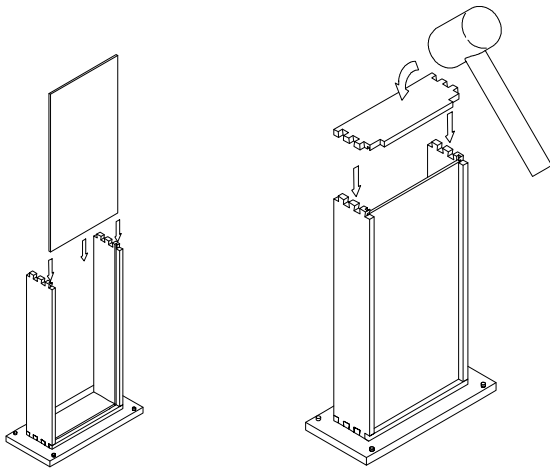
9



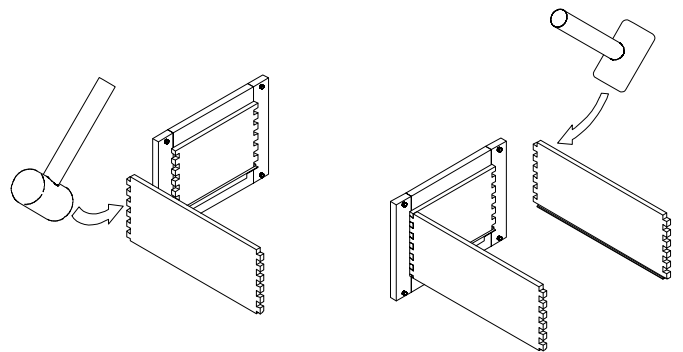
10



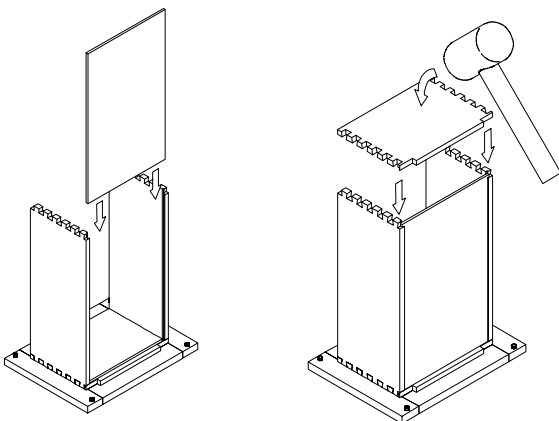
11



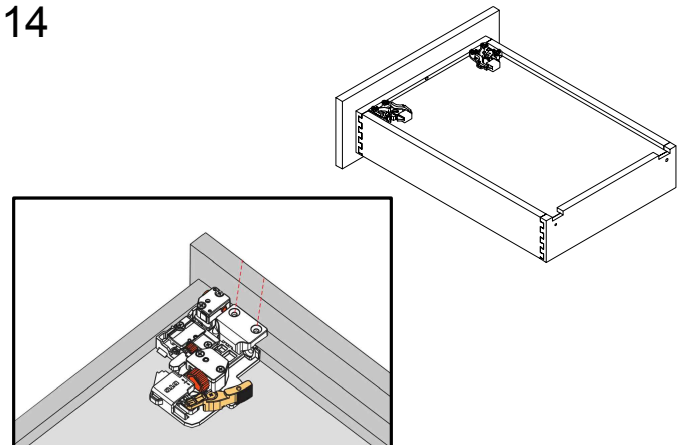
12



13

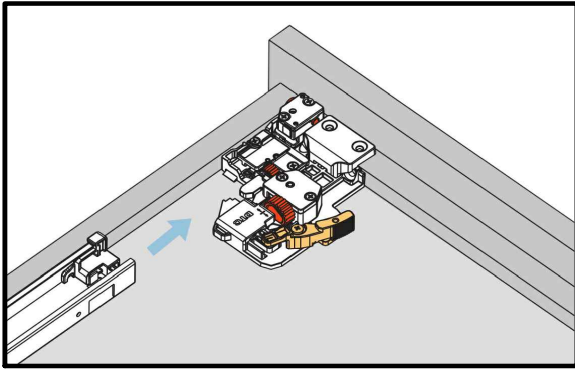


14



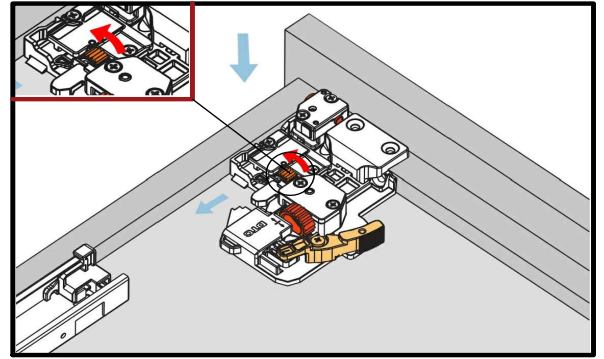
Put the adjusting part back and tighten the screws.

15



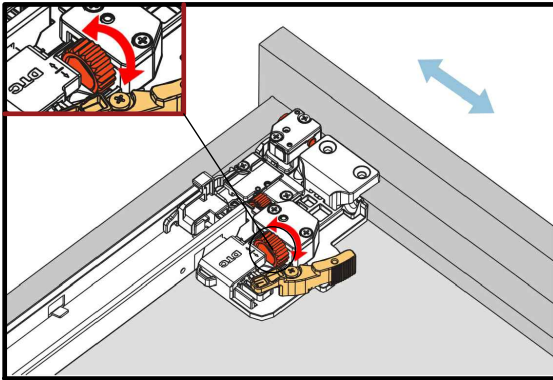
Lay the drawer bottom onto the slide then push the drawer into the cabinet.

16



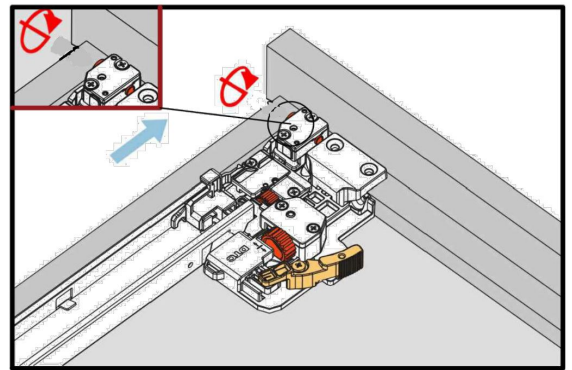
Up&Down adjustment

17



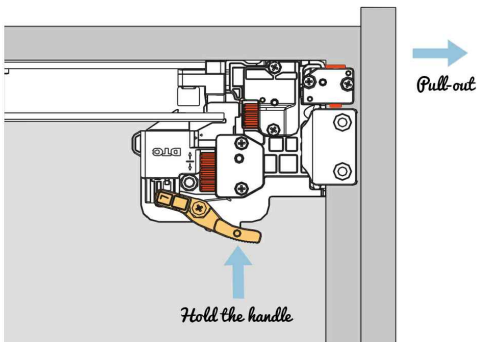
Side adjustment

18



Depth adjustment

19



Removal

20

21

