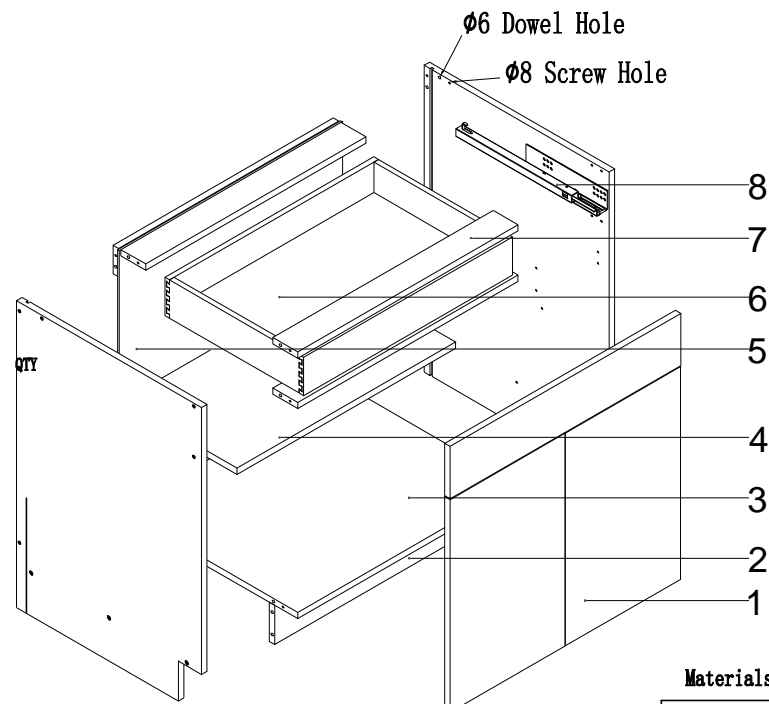
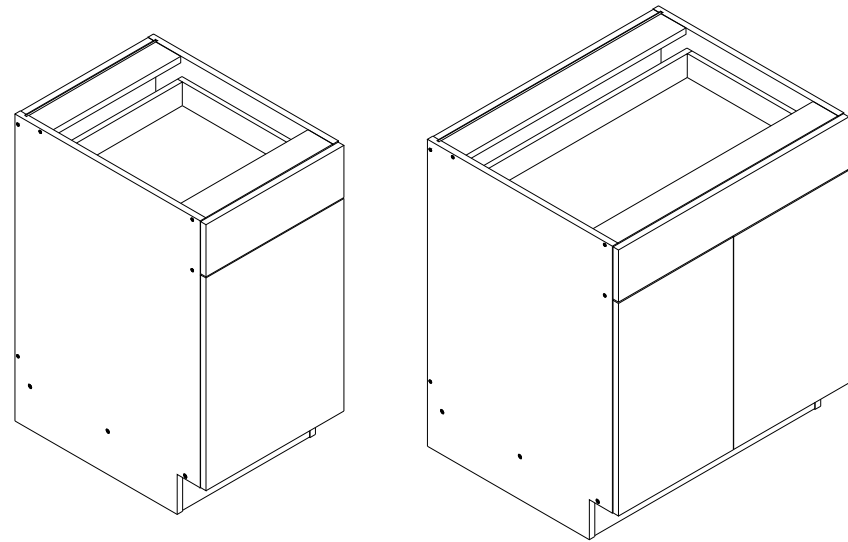
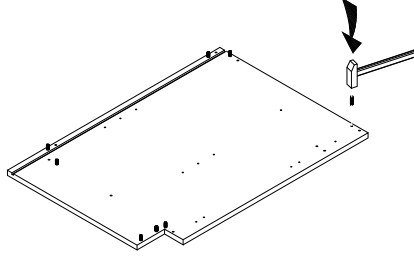
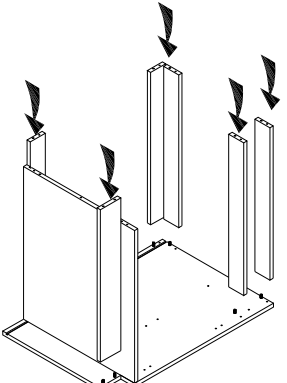
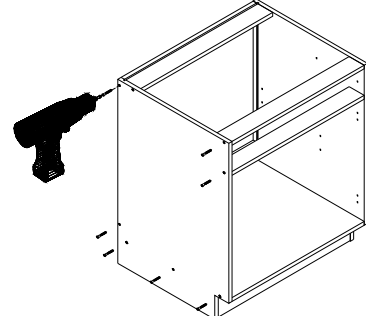
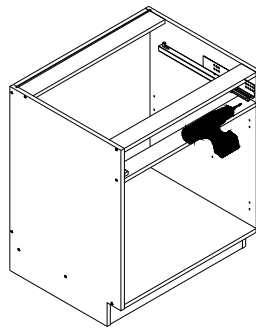
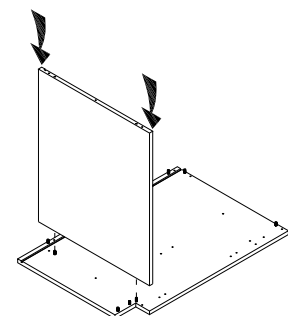
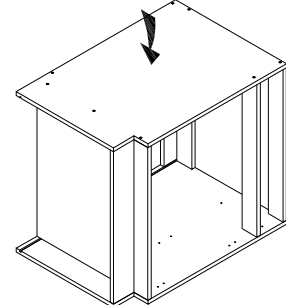
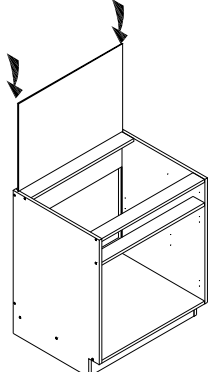
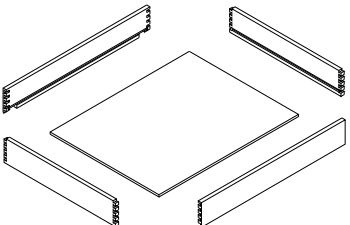
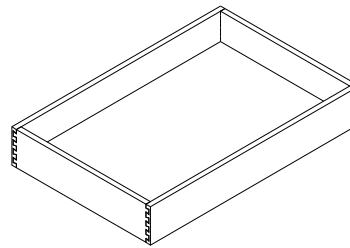
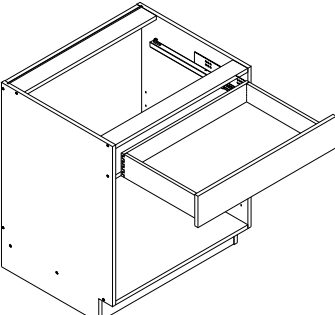
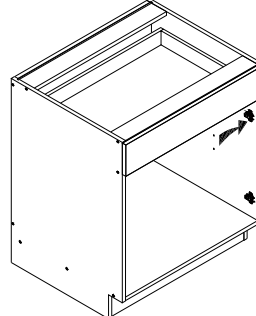
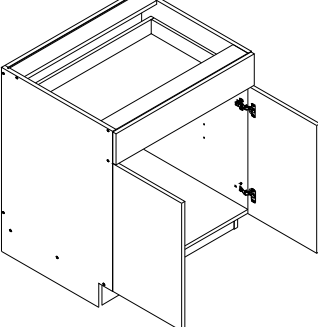
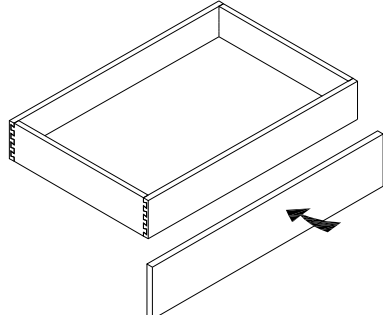
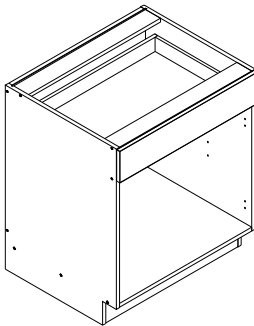
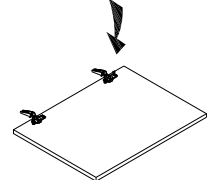
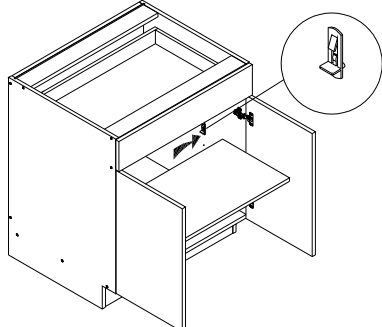


B09-B36

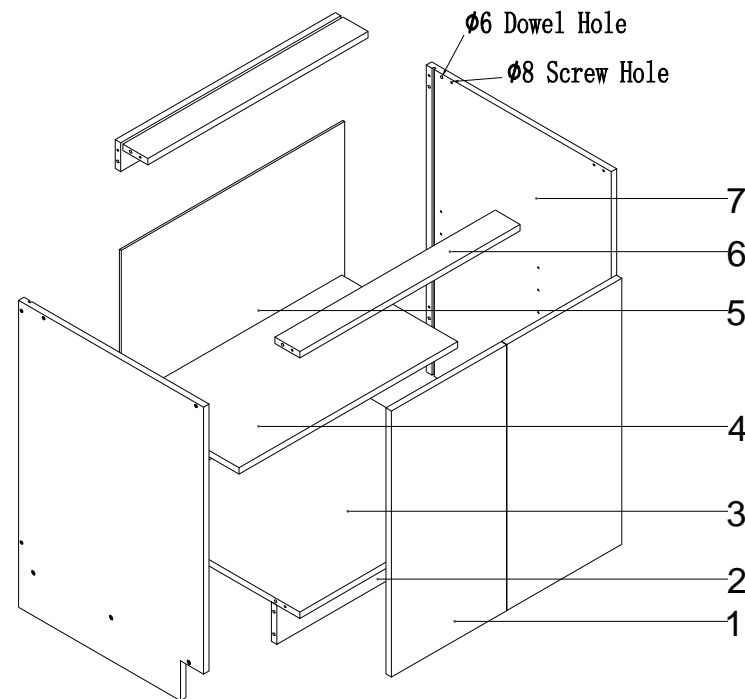
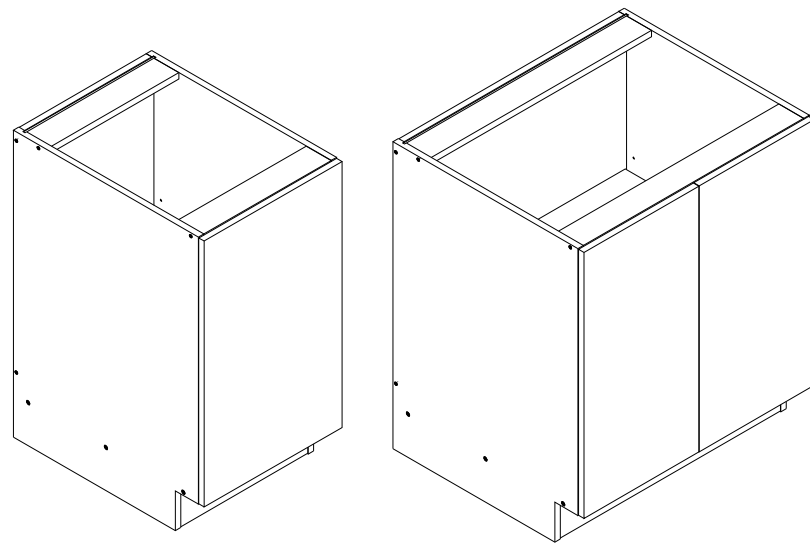


Materials List

Picture	Name
	Screws
	Dowel
	Hinge
	Slider
1	Door
2	Kickboard
3	Bottom Panel
4	Shelf
5	Back Panel
6	Drawer box
7	Fixed Strip
8	Side Panel

<p>STEP 1 Install the dowel into the side panels</p> 	<p>STEP 3 Insert the strip and kickboard</p> 	<p>STEP 5 Turn the screw into the screw hole</p> 	<p>STEP 7 Install the slider</p> 
<p>STEP 2 Keep a side panel flat on the floor, then insert bottom panel</p> 	<p>STEP 4 Put another side panel</p> 	<p>STEP 6 Insert the back panel</p> 	<p>STEP 8 Drawer composition</p> 
<p>Step 9 The drawer box accessible finished</p> 	<p>STEP 11 Put the the drawer to the carcass cabinet.</p> 	<p>STEP 13 Fix the hinge base one the side panel.</p> 	<p>STEP 15 Press the hinges into the base, and then install doors.</p> 
<p>Step 10 Install drawer front panel</p> 	<p>STEP 12 Drawer accessible finished.</p> 	<p>STEP 14 Install the hinge on the door.</p> 	<p>STEP 16 Install the shelf support and shelf, accessible finished.</p> 

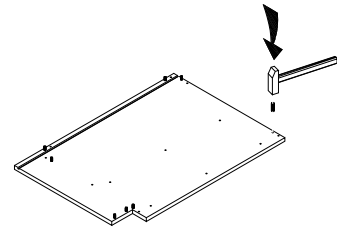
B09FHD- B42FHD



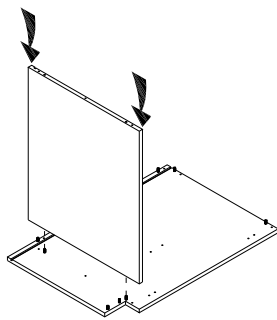
Materials List

Picture	Name
	Screws
	Dowel
	Hinge
	1 Door
	2 Kickboard
	3 Bottom Panel
	4 Shelf
	5 Back Panel
	6 Fixed Strip
	7 Side Panel

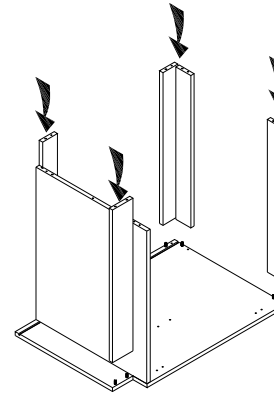
STEP 1 Install the dowel into the side panels



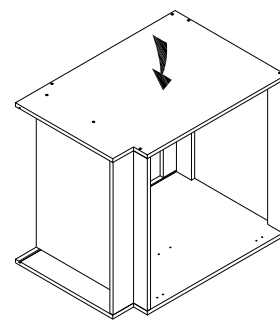
STEP 2 Keep a side panel flat on the floor, then insert bottom panel



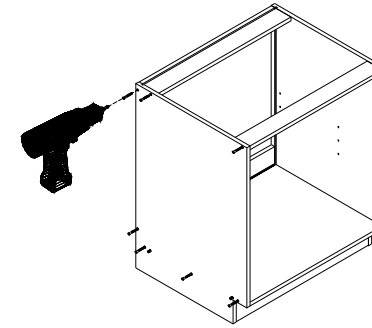
STEP 3 Insert the strip and kickboard



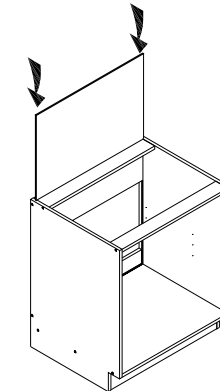
STEP 4 Put another side panel



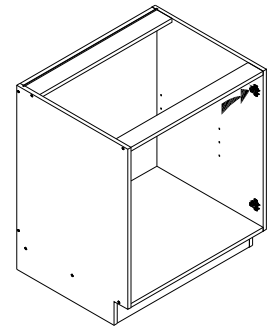
STEP 5 Turn the screw into the screw hole



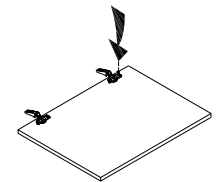
STEP 6 Insert the back panel



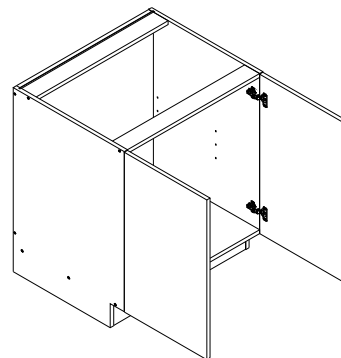
STEP 7 Fix the hinge base one the side panel.



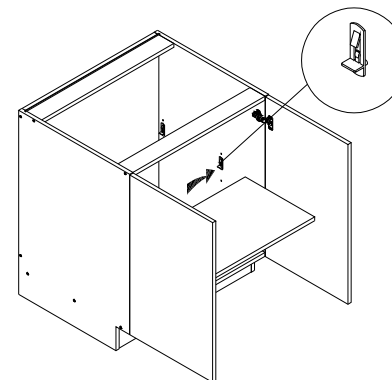
STEP 8 Install the hinge on the door.



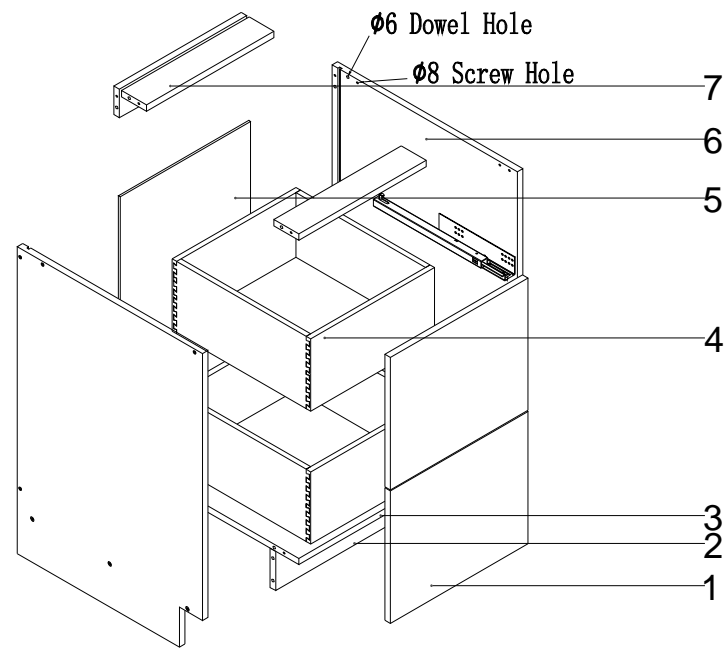
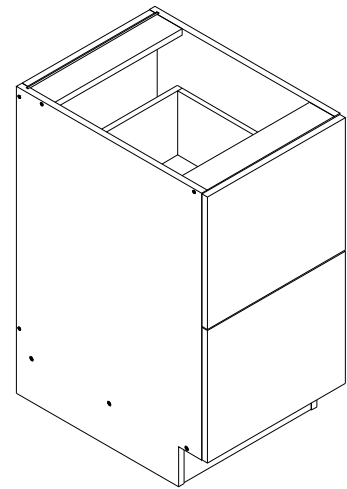
STEP 9 Press the hinges into the base, and then install doors.



STEP 10 Install the shelf support and shelf, accessible finished

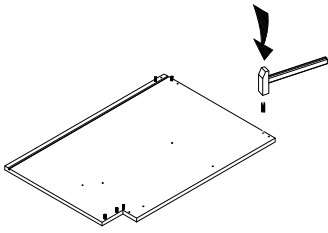
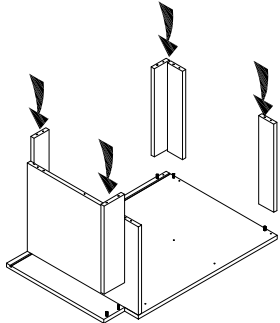
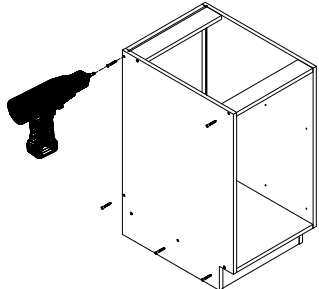
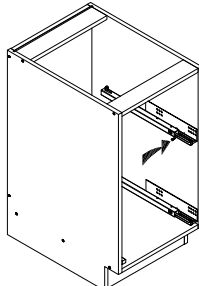
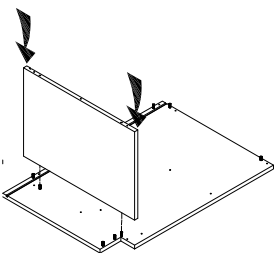
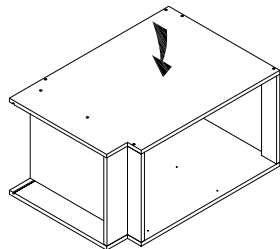
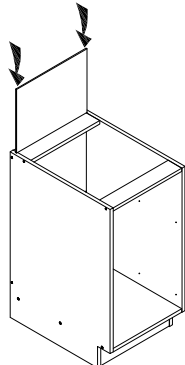
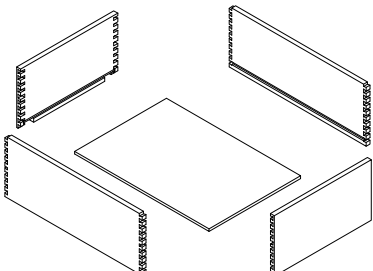
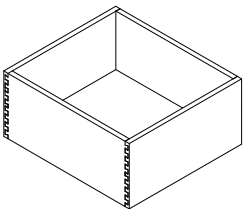
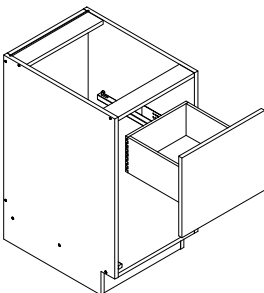
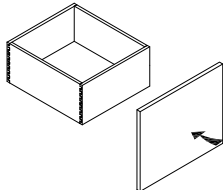
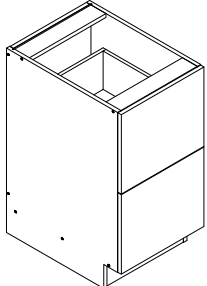


DB12-2-DB36-2

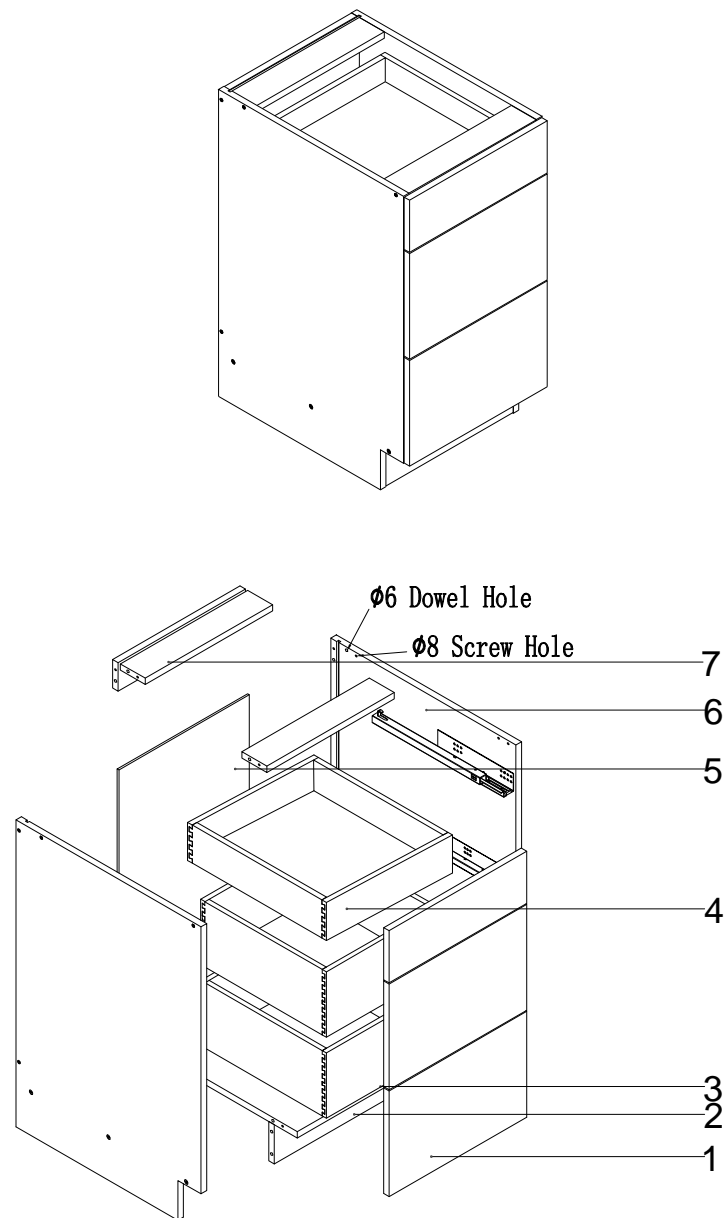


Materials List

Picture	Name
	Screws
	Dowel
	Slider
	1 Door
	2 Kickboard
	3 Bottom Panel
	4 Drawer box
	5 Back Panel
	6 Side Panel
	7 Fixed Strip

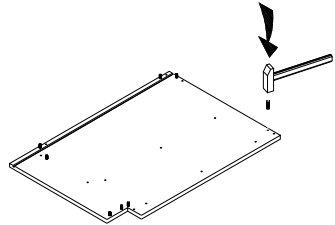
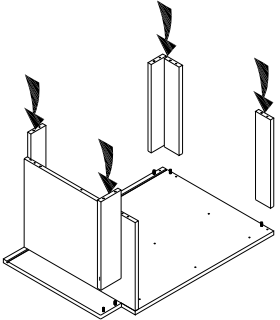
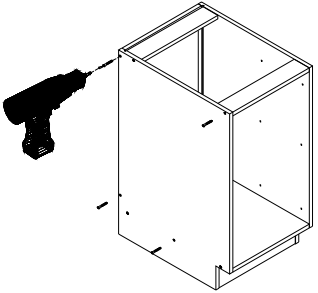
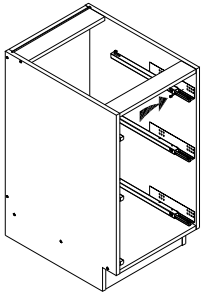
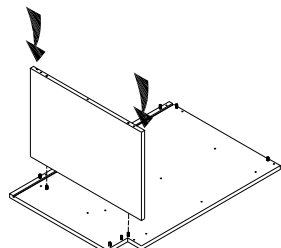
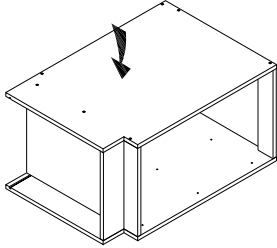
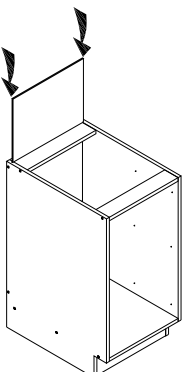
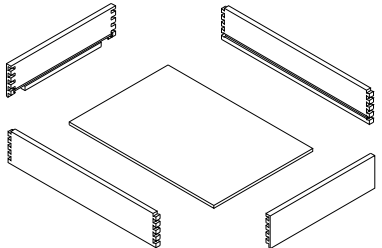
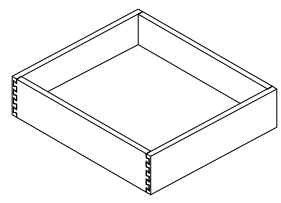
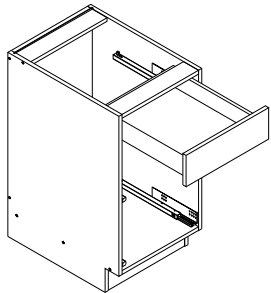
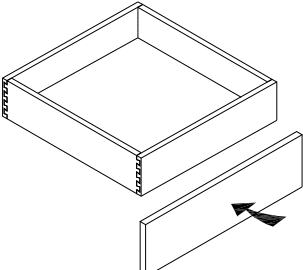
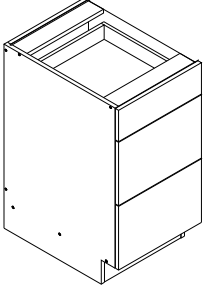
<p>STEP 1 Install the dowel into the side panels</p> 	<p>STEP 3 Insert the strip and kickboard</p> 	<p>STEP 5 Turn the screw into the screw hole</p> 	<p>STEP 7 Install the slider</p> 
<p>STEP 2 Keep a side panel flat on the floor, then insert bottom panel</p> 	<p>STEP 4 Put another side panel</p> 	<p>STEP 6 Insert the back panel</p> 	<p>STEP 8 Drawer composition</p> 
<p>Step 9 The drawer box accessible finished</p> 		<p>STEP 11 Put the the drawer to the carcass cabinet.</p> 	
<p>Step 10 Install drawer front panel</p> 		<p>STEP 12 Accessible Finished.</p> 	

DB12-3-DB36-3

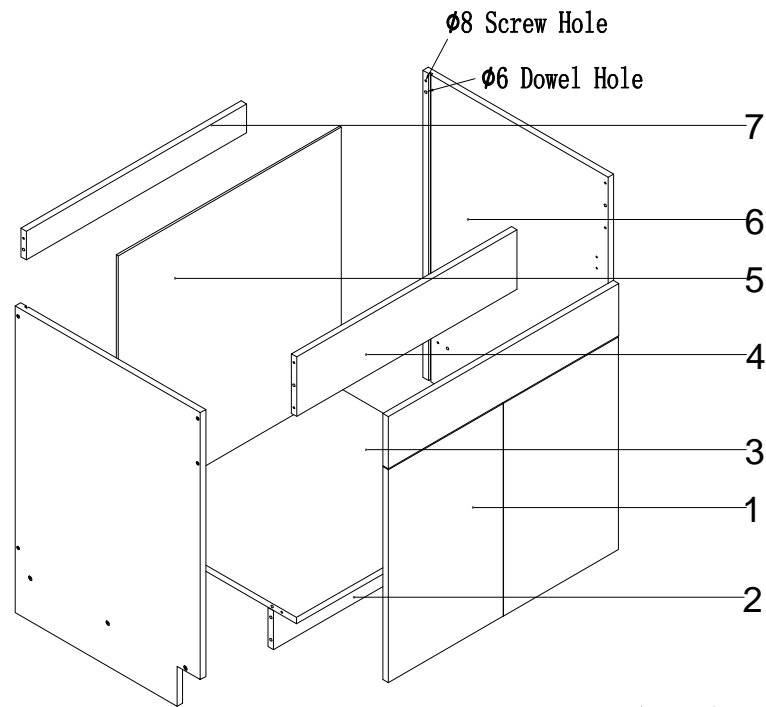
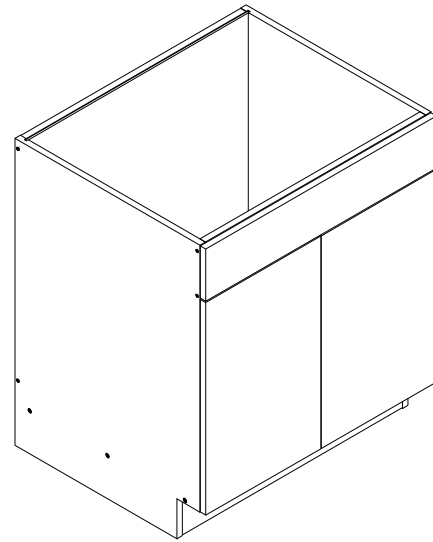


Materials List

Picture	Name
	Screws
	Dowel
	Slider
1	Door
2	Kickboard
3	Bottom Panel
4	Drawer box
5	Back Panel
6	Side Panel
7	Fixed Strip

<p>STEP 1 Install the dowel into the side panels</p> 	<p>STEP 3 Insert the strip and kickboard</p> 	<p>STEP 5 Turn the screw into the screw hole</p> 	<p>STEP 7 Install the slider</p> 
<p>STEP 2 Keep a side panel flat on the floor, then insert bottom panel</p> 	<p>STEP 4 Put another side panel</p> 	<p>STEP 6 Insert the back panel</p> 	<p>STEP 8 Drawer composition</p> 
<p>Step 9 The drawer box accessible finished</p> 		<p>STEP 11 Put the the drawer to the carcass cabinet.</p> 	
<p>Step 10 Install drawer front panel</p> 		<p>STEP 12 Accessible Finished.</p> 	

SB30-SB39

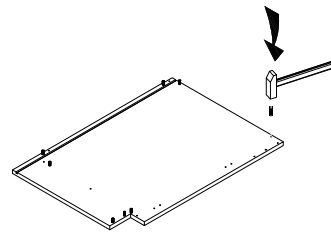


Ø8 Screw Hole
Ø6 Dowel Hole

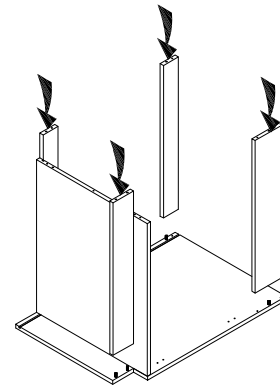
Materials List

Picture	Name
	Screws
	Dowel
	Hinge
1	Door
2	Kickboard
3	Bottom Panel
4	Filler
5	Back Panel
6	Side Panel
7	Fixed Strip

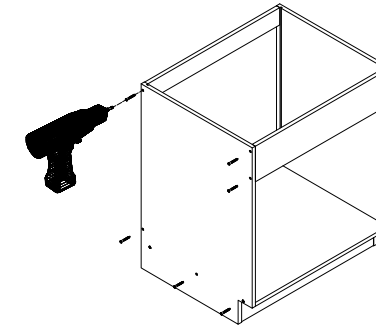
STEP 1 Install the dowel into the side panels



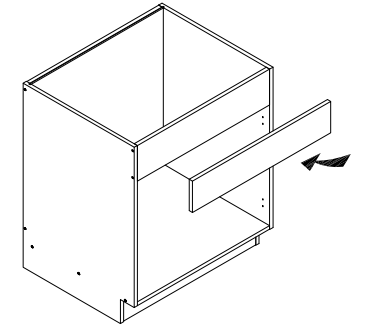
STEP 3 Insert the strip and kickboard



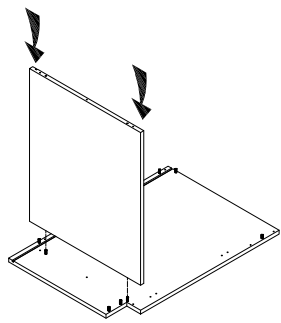
STEP 5 Turn the screw into the screw hole



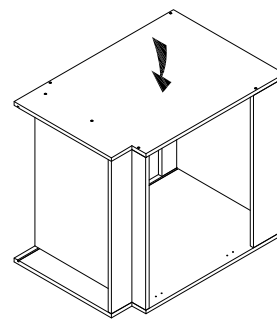
STEP 7 Install false drawer panel.



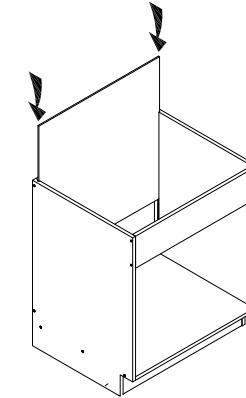
STEP 2 Keep a side panel flat on the floor, then insert bottom panel



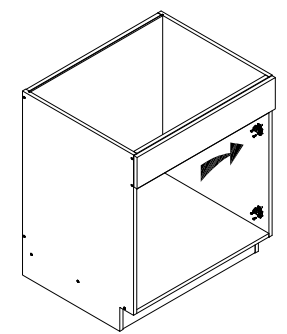
STEP 4 Put another side panel



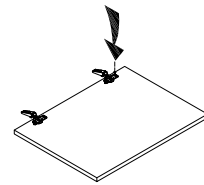
STEP 6 Insert the back panel.



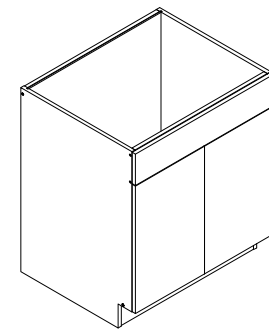
STEP 8 Fix the hinge base one the side panel.



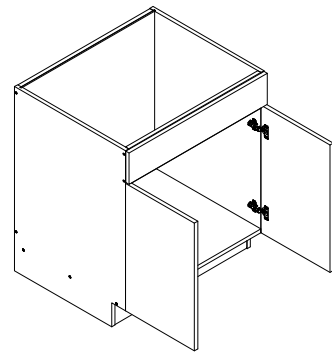
STEP 9 Install the hinge on the door.



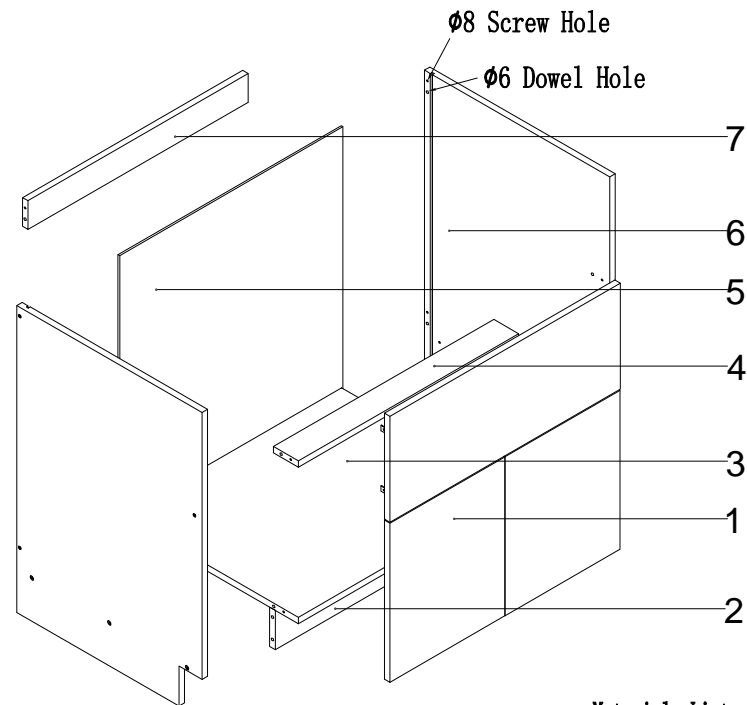
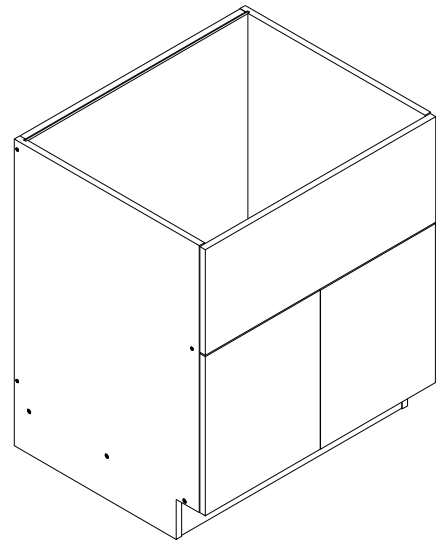
STEP 11 Accessible Finished.



STEP 10 Press the hinges into the base, and then install doors.



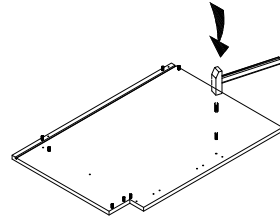
FSB33/FSB36



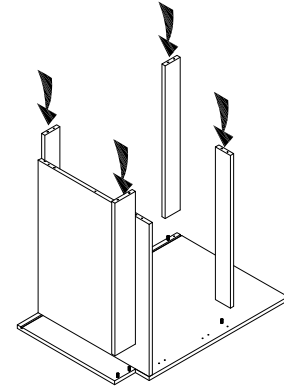
Materials List

Picture	Name
	Screws
	Dowel
	Hinge
1	Door
2	Kickboard
3	Bottom Panel
4	Filler
5	Back Panel
6	Side Panel
7	Fixed Strip

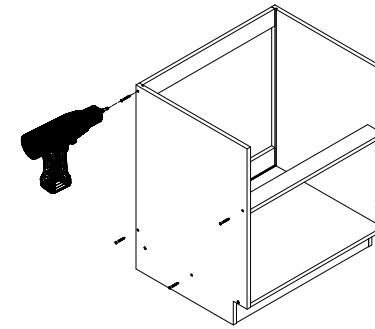
STEP 1 Install the dowel into the side panels



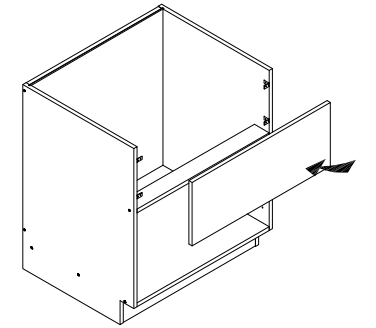
STEP 3 Insert the strip and kickboard



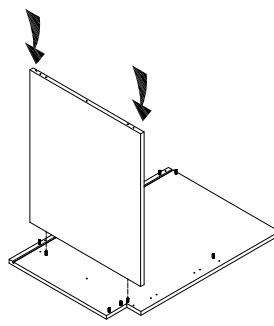
STEP 5 Turn the screw into the screw hole



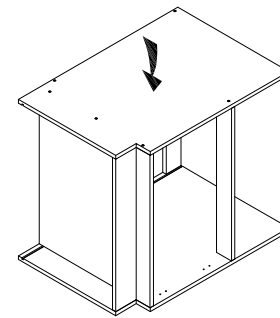
STEP 7 Install false drawer panel, fixed with a corner code.



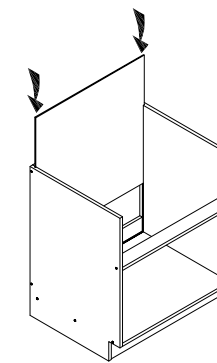
STEP 2 Keep a side panel flat on the floor, then insert bottom panel



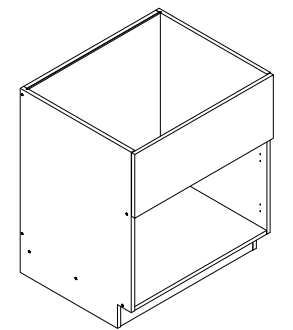
STEP 4 Put another side panel



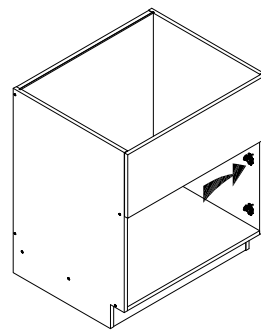
STEP 6 Insert the back panel.



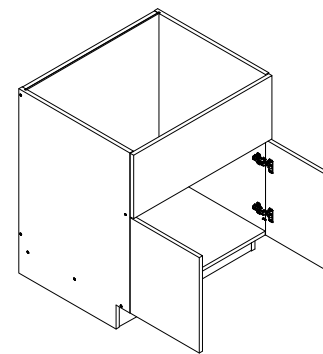
STEP 8 Accessible Finished.



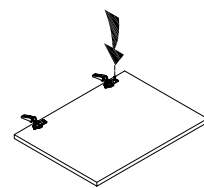
STEP 9 Fix the hinge base on the side panel.



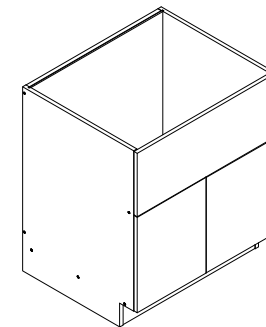
STEP 11 Press the hinges into the base, and then install doors.



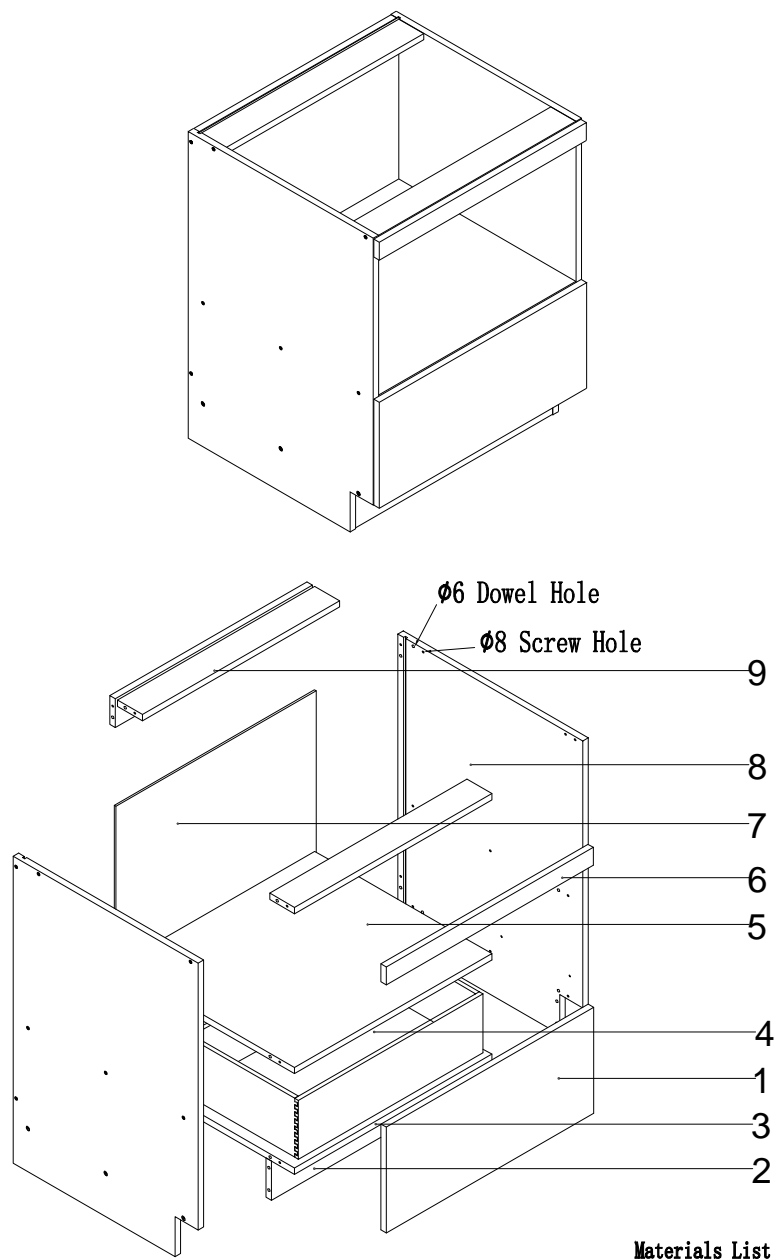
STEP 10 Install the hinge on the door.



STEP 12 Accessible Finished.

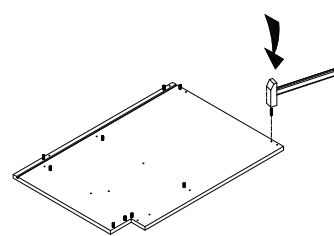
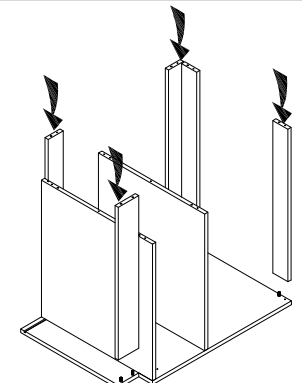
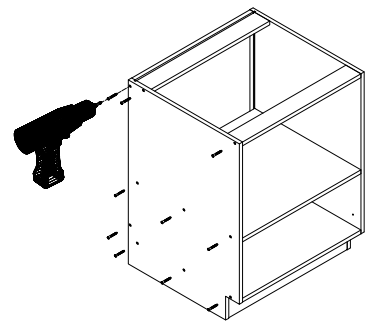
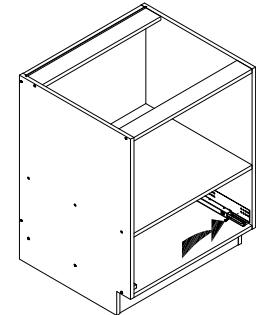
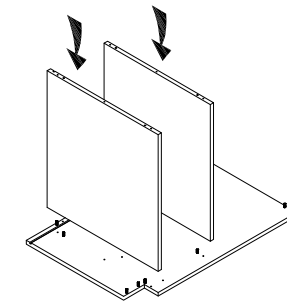
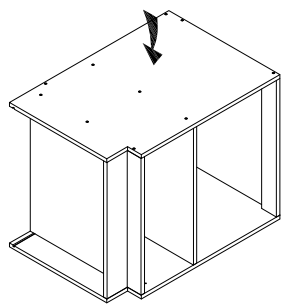
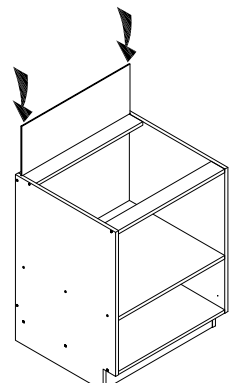
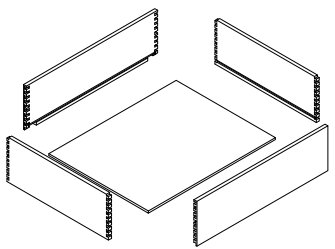
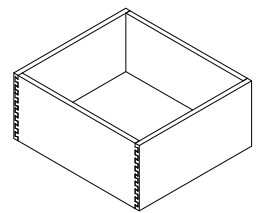
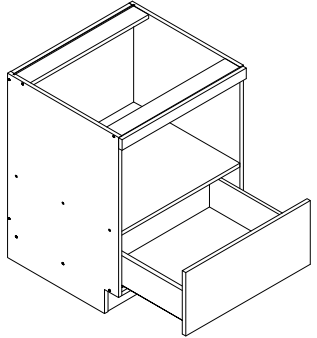
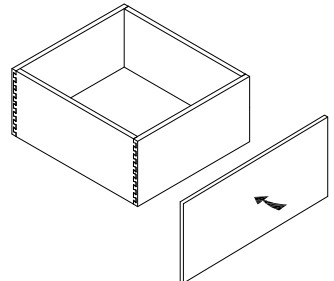
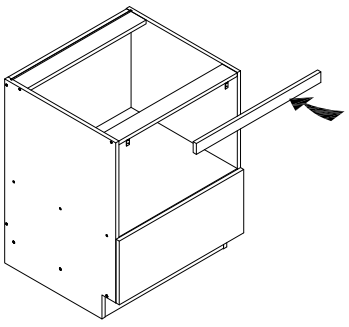


BM24-BM30

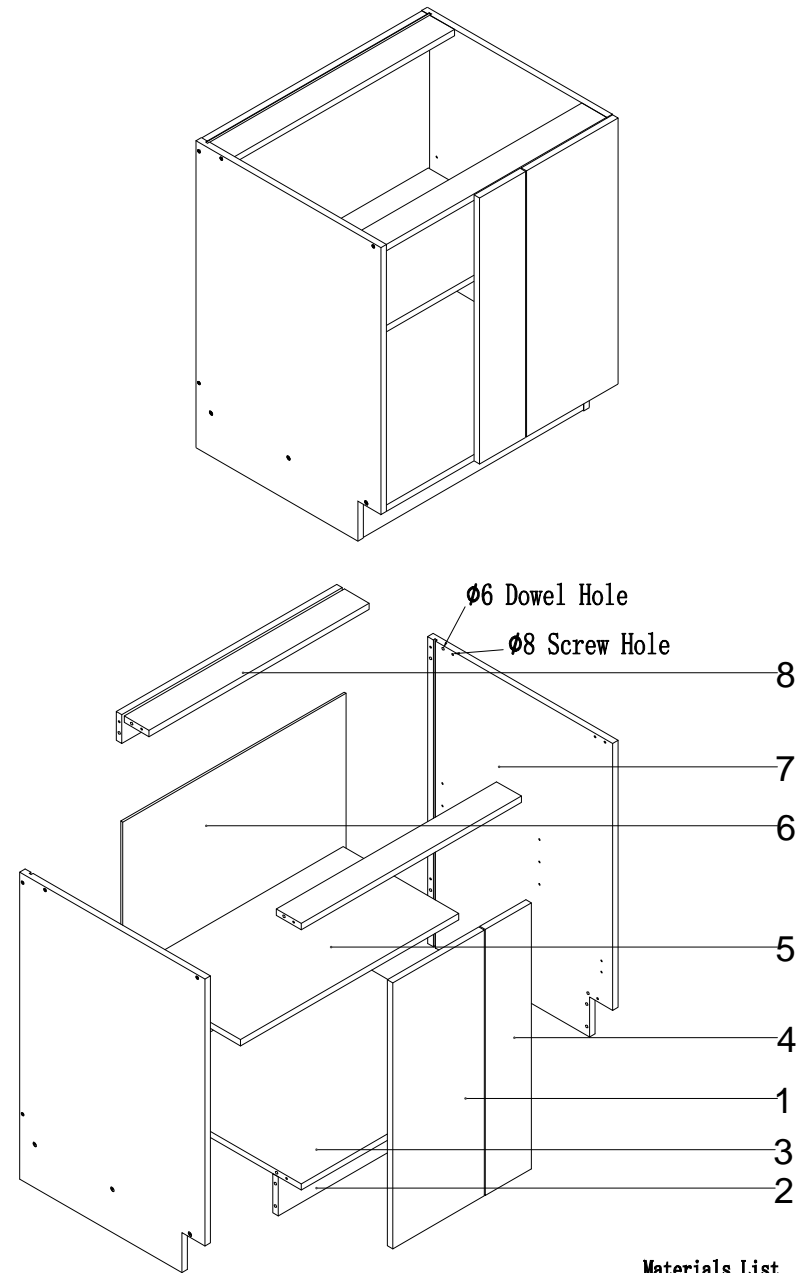


Materials List

Picture	Name
	Screws
	Dowel
	Slider
	1 Door
	2 Kickboard
	3 Bottom Panel
	4 Drawer box
	5 Fixed Shelf
	6 Filler
	7 Back Panel
	8 Side Panel
	9 Fixed Strip

<p>STEP 1 Install the dowel into the side panels</p> 	<p>STEP 3 Insert the strip and kickboard</p> 	<p>STEP 5 Turn the screw into the screw hole</p> 	<p>STEP 7 Install the slider</p> 
<p>STEP 2 Keep a side panel flat on the floor, then insert bottom panel</p> 	<p>STEP 4 Put another side panel</p> 	<p>STEP 6 Insert the back panel.</p> 	<p>STEP 8 Drawer composition</p> 
<p>Step 9 The drawer box accessible finished</p> 	<p>STEP 11 Put the the drawer to the carcass cabinet.</p> 		
<p>Step 10 Install drawer front panel</p> 	<p>STEP 12 Accessible Finished.</p> 		

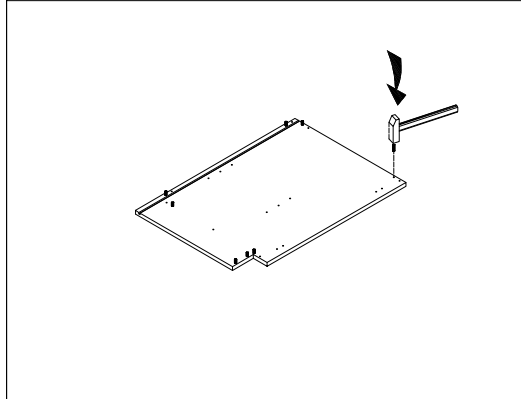
BBC39-15
BBC42-18
BBC45-21



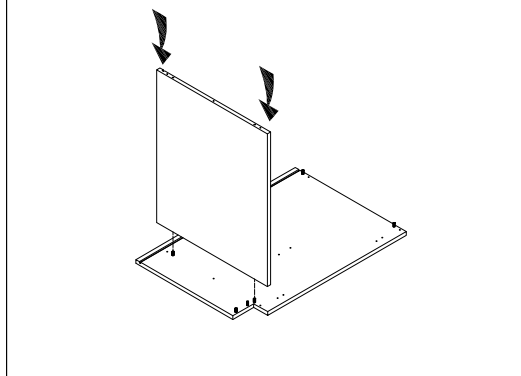
Materials List

Picture	Name
	Screws
	Dowel
	Hinges
1	Door
2	Kickboard
3	Bottom Panel
4	Filler
5	Shelf
6	Back Panel
7	Side Panel
8	Fixed Strip

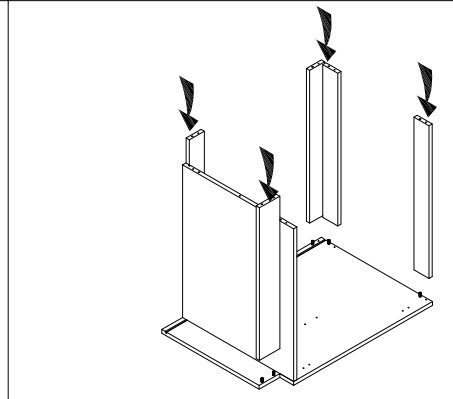
STEP 1 Install the dowel into the side panels



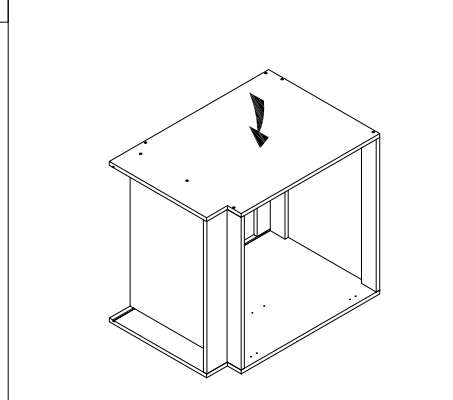
STEP 2 Keep a side panel flat on the floor, then insert bottom panel



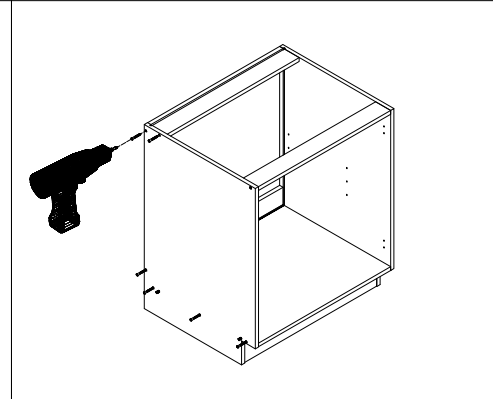
STEP 3 Insert the strip and kickboard



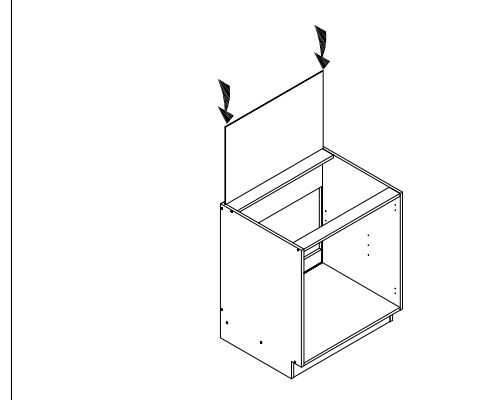
STEP 4 Put another side panel



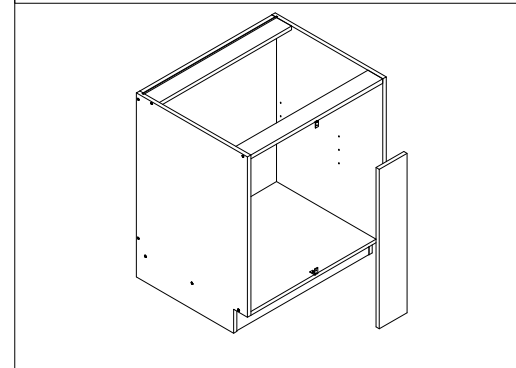
STEP 5 Turn the screw into the screw hole



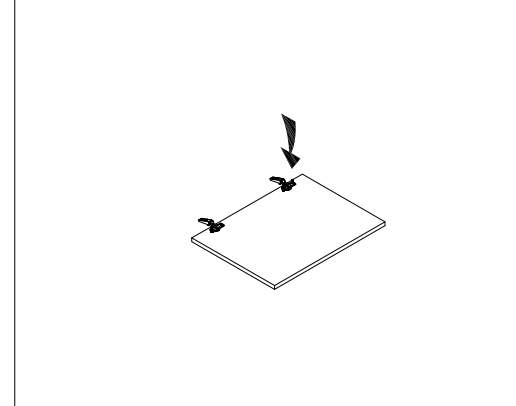
STEP 6 Insert the back panel.



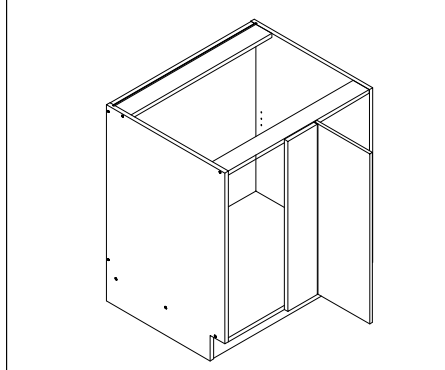
STEP 7 Install fixed sealing plates with corner codes



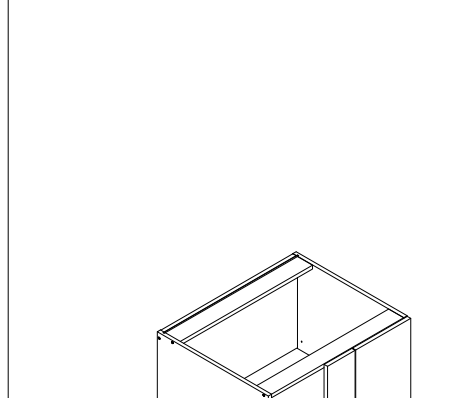
STEP 8 Install the hinge on the door.



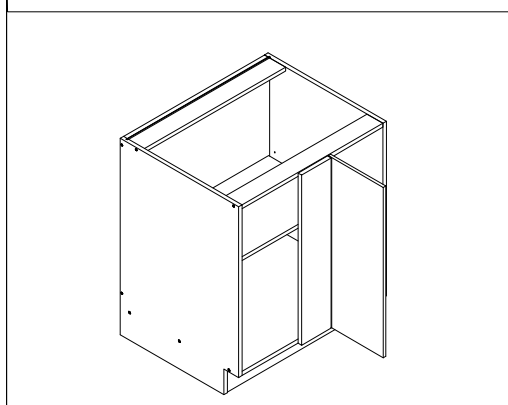
STEP 9 Press the hinges into the base, and then install doors.



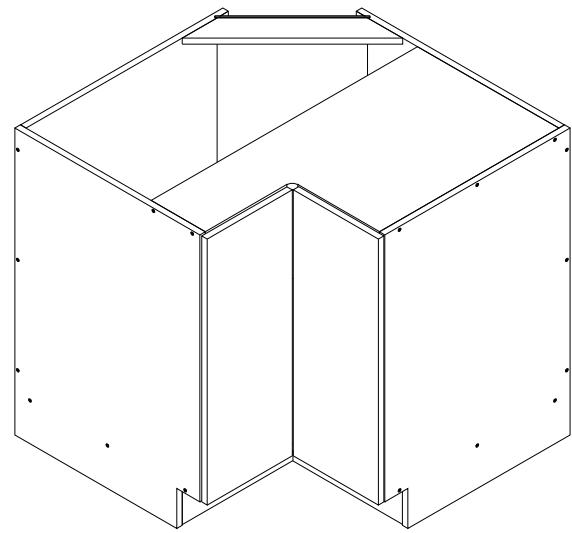
STEP 11 Accessed Finished.



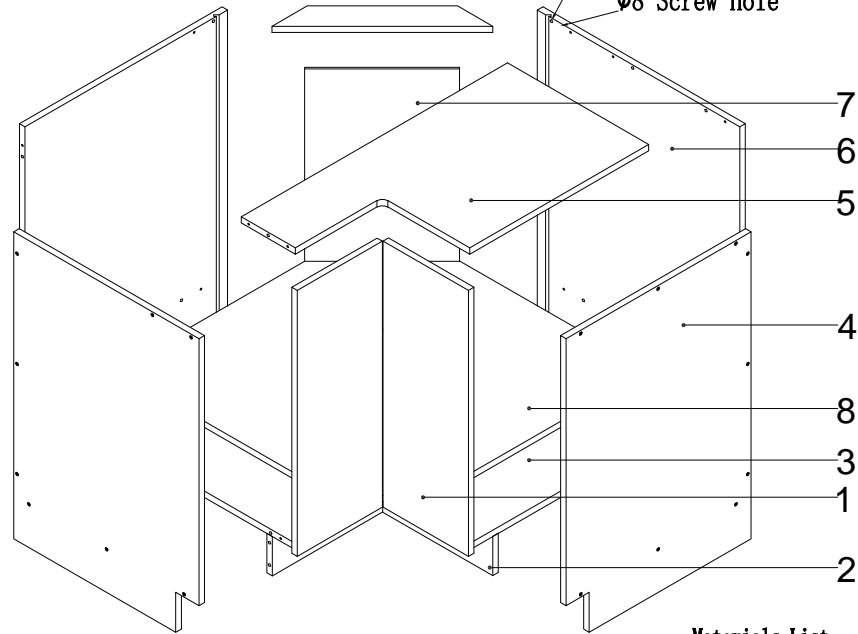
STEP 10 Install the shelf support and shelf.



BER33/BER36



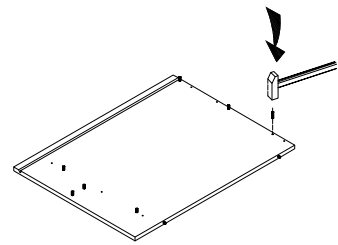
Ø6 Dowel Hole
Ø8 Screw Hole



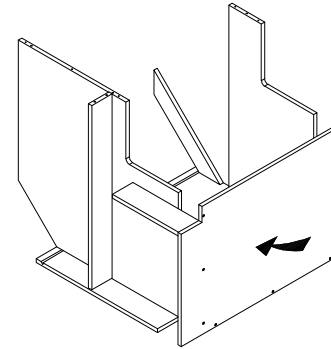
Materials List

Picture	Name
	Screws
	Dowel
	Hinge
1	Door
2	Kickboard
3	Bottom Panel
4	Front Side Panel
5	Top Panel
6	Back Side Panel
7	Back Panel

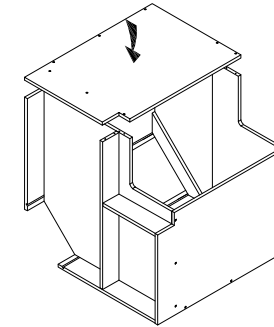
STEP 1 Install the dowel into the side panels.



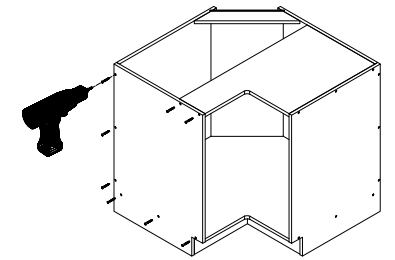
STEP 3 Insert the front side panel



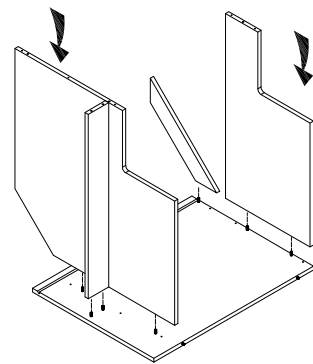
STEP 5 Put another front side panel.



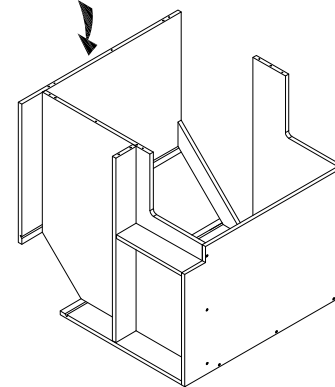
STEP 7 Turn the screw into the screw hole



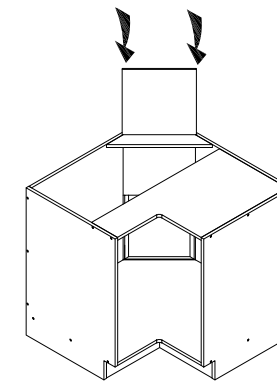
STEP 2 Keep a side panel flat on the floor, then insert top and bottom panel.



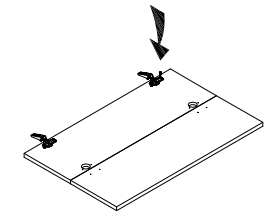
STEP 4 Put another back side panel.



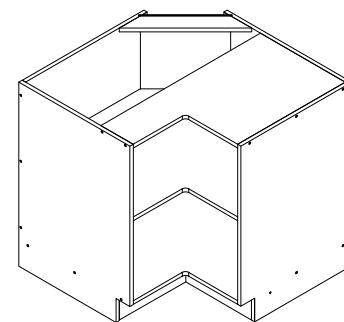
STEP 6 Insert the back panel.



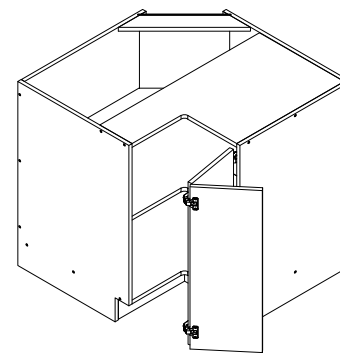
STEP 8 Install the hinge on the door.



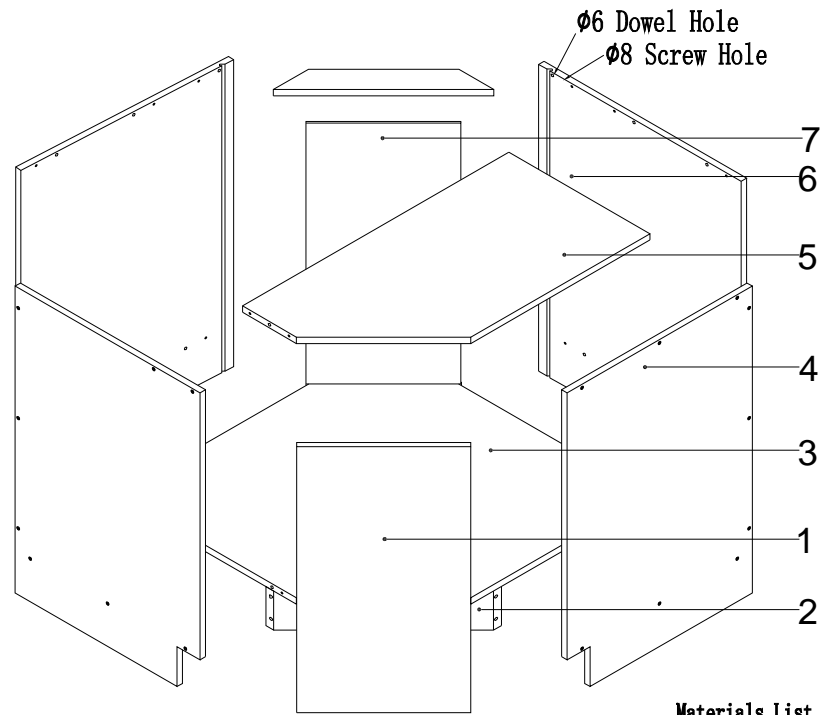
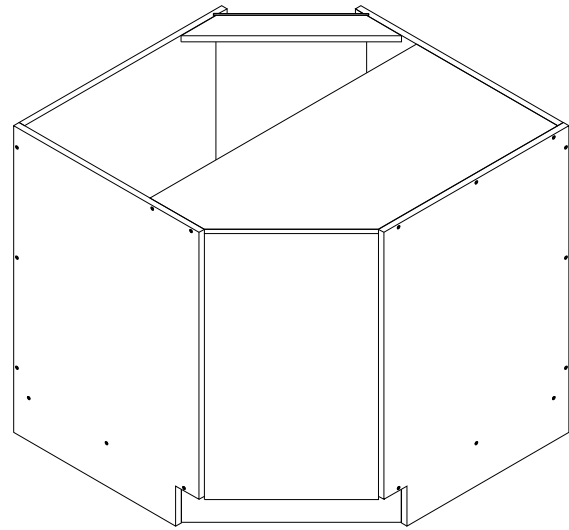
STEP 9 Install the shelf support and shelf.



STEP 10 Press the hinges into the base, and then install doors. Accessible finished.

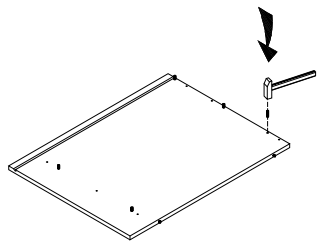
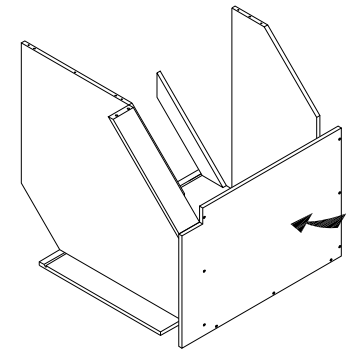
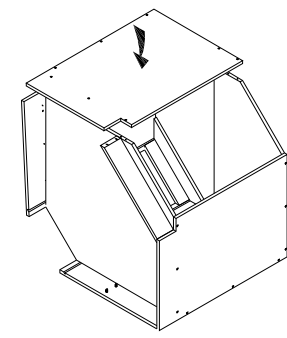
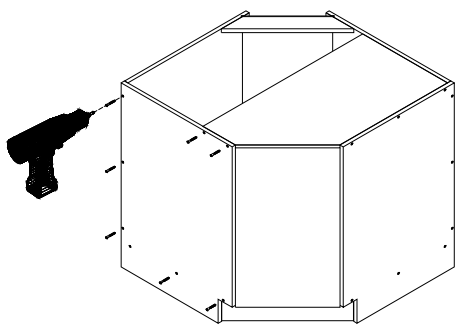
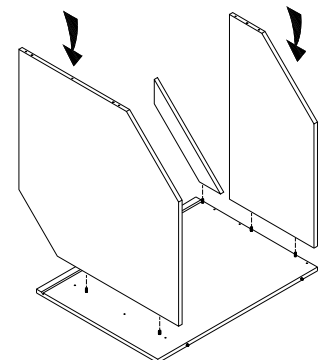
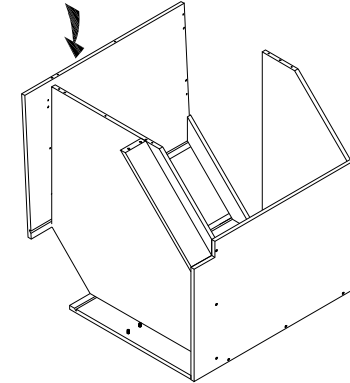
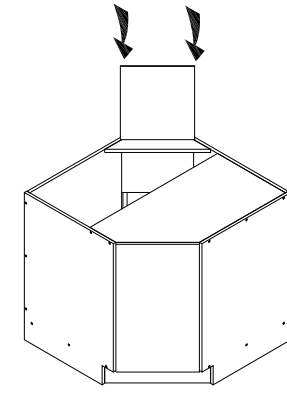
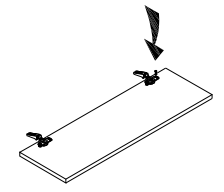


NCSB36 / NCSB42

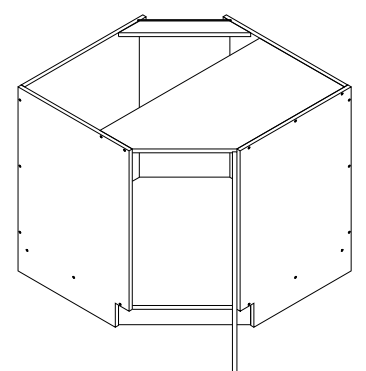


Materials List

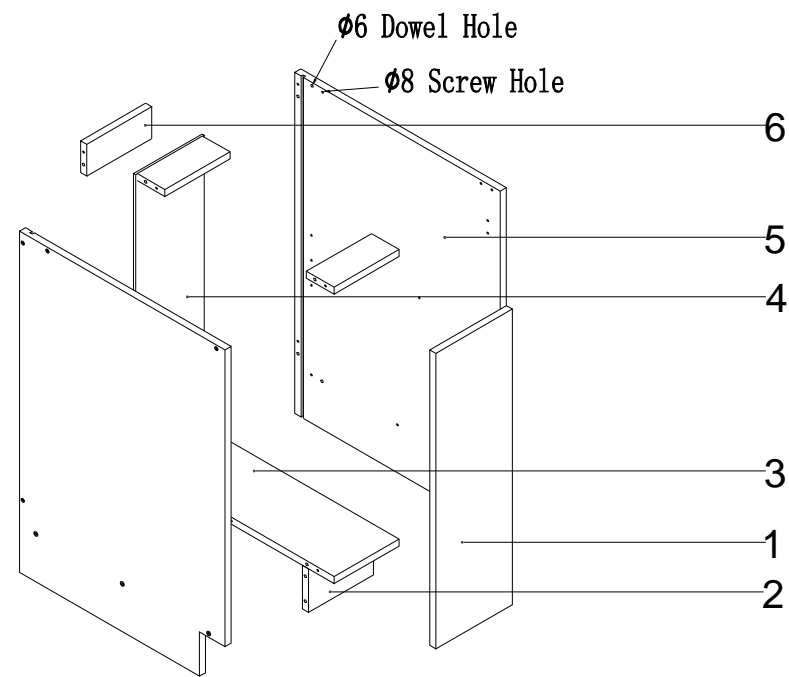
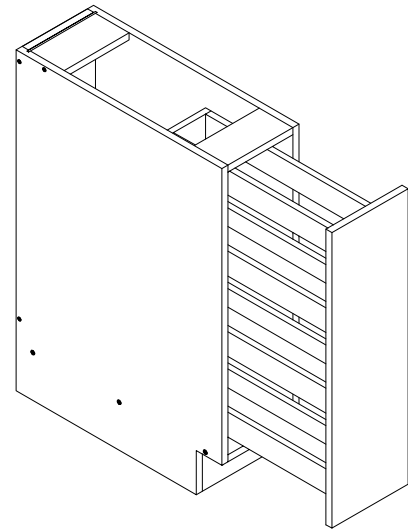
Picture	Name
	Screws
	Dowel
	Hinge
1	Door
2	Kickboard
3	Bottom Panel
4	Front Side Panel
5	Top Panel
6	Back Side Panel
7	Back Panel

<p>STEP 1 Install the dowel into the side panels.</p> 	<p>STEP 3 Insert the front side panel</p> 	<p>STEP 5 Put another front side panel.</p> 	<p>STEP 7 Turn the screw into the screw hole</p> 
<p>STEP 2 Keep a side panel flat on the floor, then insert top and bottom panel .</p> 	<p>STEP 4 Put another back side panel.</p> 	<p>STEP 6 Insert the back panel.</p> 	<p>STEP 8 Install the hinge on the door.</p> 

STEP 9 Press the hinges into the base, and then install doors, accessible finished.



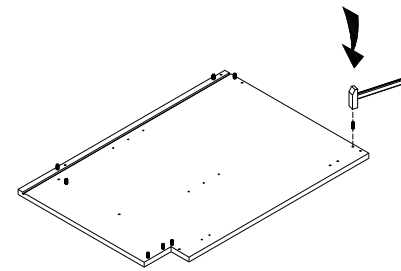
BSP09S



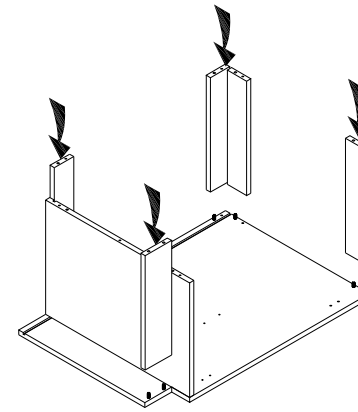
Materials List

Picture	Name
	Screws
	Dowel
1	Door
2	Kickboard
3	Bottom Panel
4	Back Panel
5	Side Panel
6	Fixed Strip

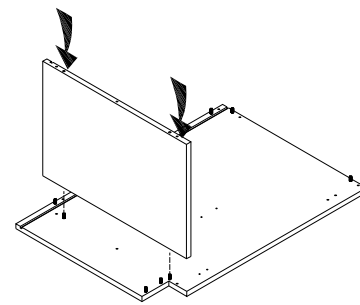
STEP 1 Install the dowel into the side panels



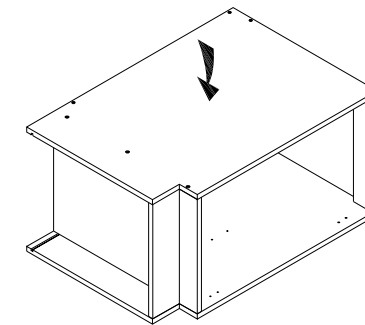
STEP 3 Insert the strip and kickboard



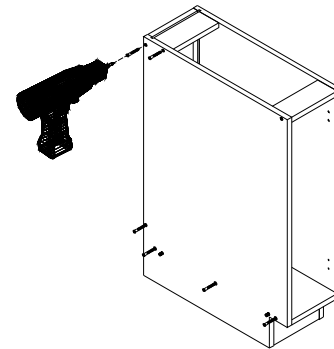
STEP 2 Keep a side panel flat on the floor, then insert bottom panel



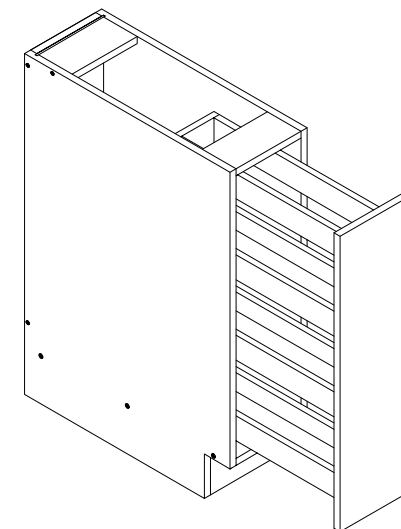
STEP 4 Put another side panel



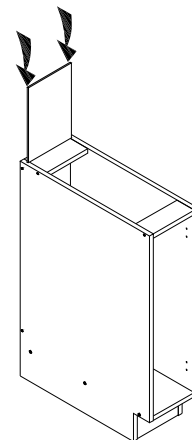
STEP 5 Turn the screw into the screw hole



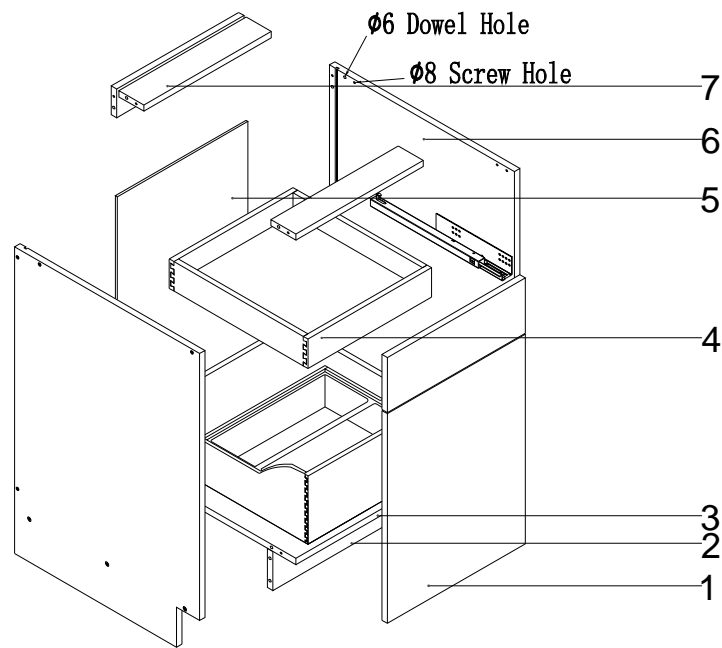
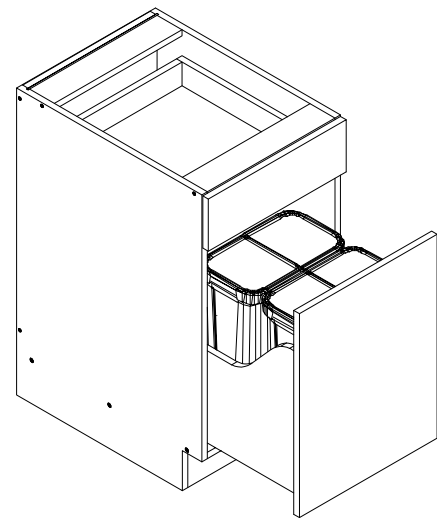
STEP 7 Install the seasoning basket/trash can, Accessible Finished.



STEP 6 Insert the back panel.

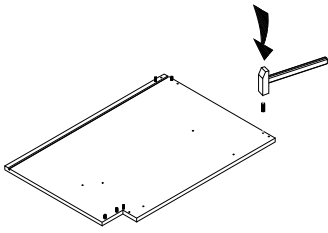
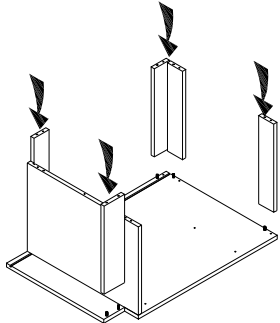
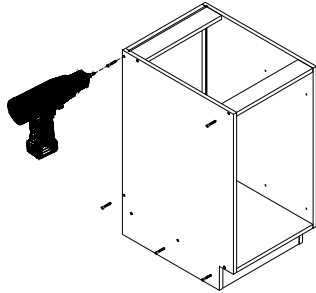
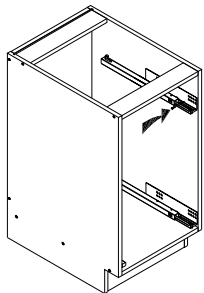
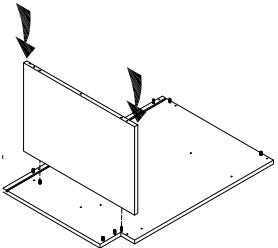
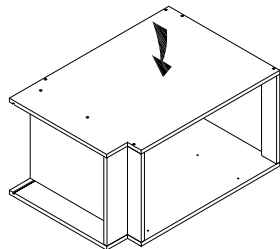
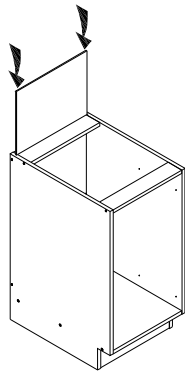
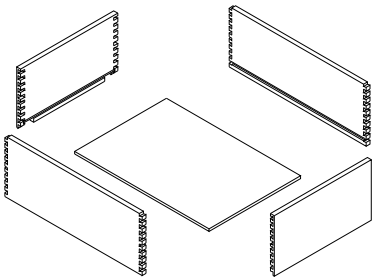
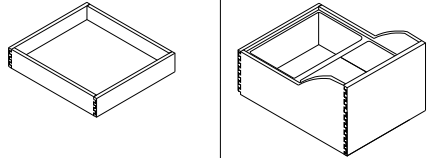
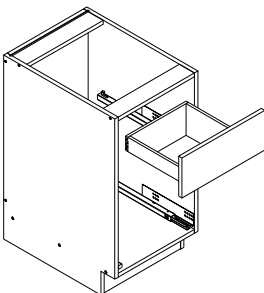
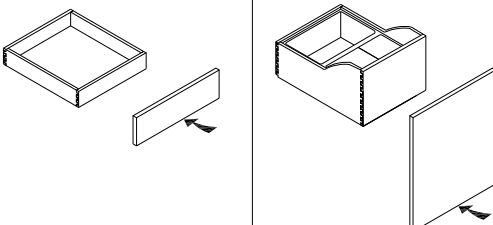


BWBK18-2A



Materials List

Picture	Name
	Screws
	Dowel
	Slider
	1 Door
	2 Kickboard
	3 Bottom Panel
	4 Drawer box
	5 Back Panel
	6 Side Panel
	7 Fixed Strip

<p>STEP 1 Install the dowel into the side panels</p> 	<p>STEP 3 Insert the strip and kickboard</p> 	<p>STEP 5 Turn the screw into the screw hole</p> 	<p>STEP 7 Install the slider</p> 
<p>STEP 2 Keep a side panel flat on the floor, then insert bottom panel</p> 	<p>STEP 4 Put another side panel</p> 	<p>STEP 6 Insert the back panel</p> 	<p>STEP 8 Drawer composition</p> 
<p>Step 9 The drawer box accessible finished</p> 		<p>STEP 11 Put the the drawer to the carcass cabinet.</p> 	
<p>Step 10 Install drawer front panel</p> 		<p>STEP 12 Accessible Finished.</p> 