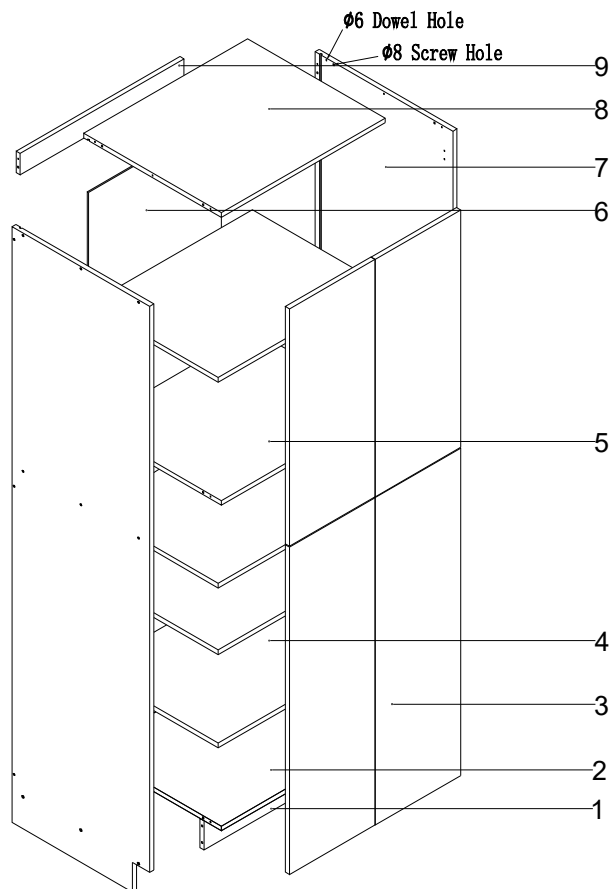
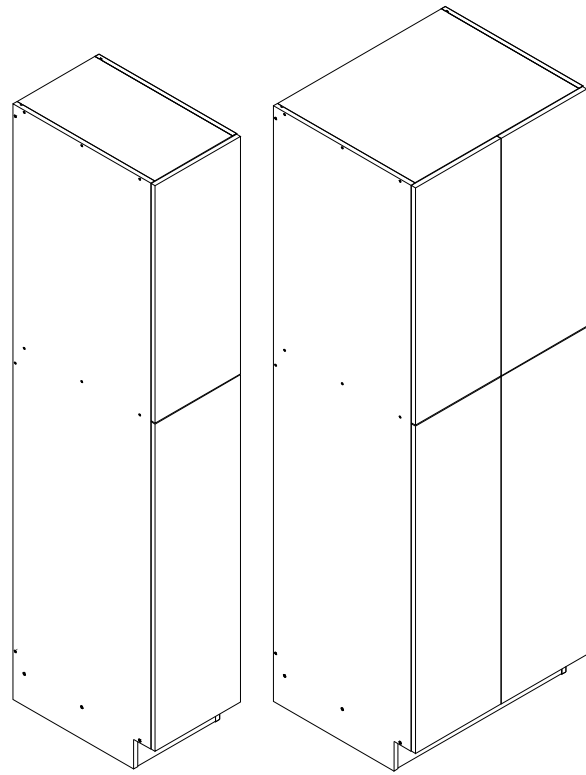


WP1584/WP1884
 WP1590/WP1890
 WP1596/WP1896

WP2484/WP3084/WP3684
 WP2490/WP3090/WP3690
 WP2496/WP3096/WP3690



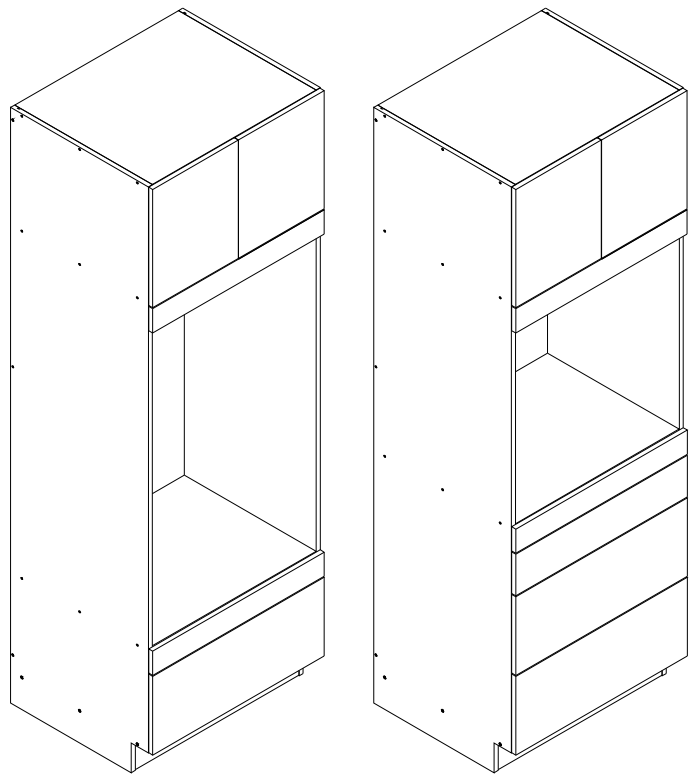
Materials List

Picture	Name
	Screws
	Dowel
	Hinge
1	Kickboard
2	Bottom Panel
3	Door
4	Shelf
5	Fixed Shelf
6	Back Panel
7	Side Panel
8	Top Panel
9	Fixed Strip

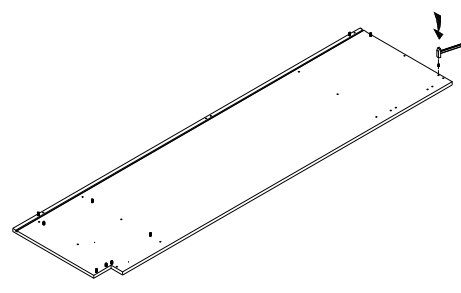
<p>STEP 1 Install the dowel into the side panels</p>	<p>STEP 3 Insert the strip and kickboard</p>	<p>STEP 5 Put another side panel</p>	<p>STEP 7 Fix the hinge base one the side panel</p>
<p>Step 2 keep the side plate flat on the floor, then insert top and bottom panel and fixing shelf</p>	<p>STEP 4 Insert the back panel.</p>	<p>STEP 6 Turn the screw into the screw hole</p>	<p>STEP 8 Install the hinge on the door.</p>
<p>STEP 9 Press the hinges into the base, and then install doors.</p>		<p>STEP 11 Accessible Finished.</p>	
<p>STEP 10 Install the shelf support and shelf.</p>			

DOC3084/
DOC3090/
DOC3096

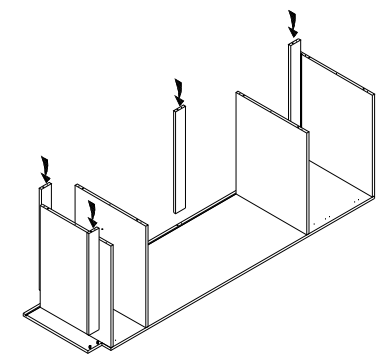
SOC3084/
SOC3090/
SOC3096



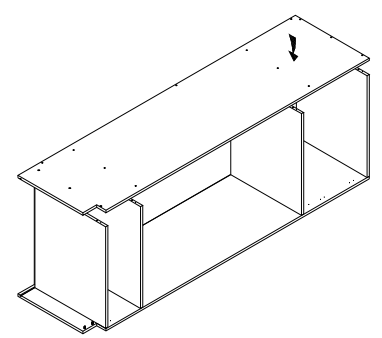
STEP 1 Install the dowel into the side panels



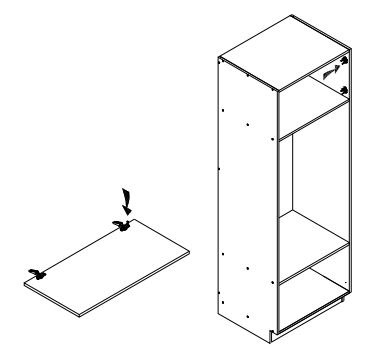
STEP 3 Insert the strip and kickboard



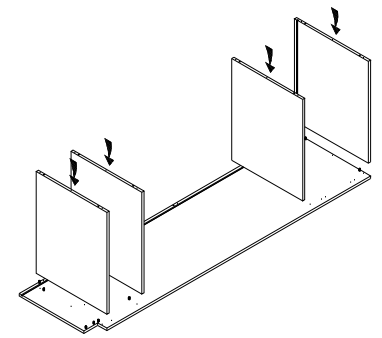
STEP 5 Put another side panel



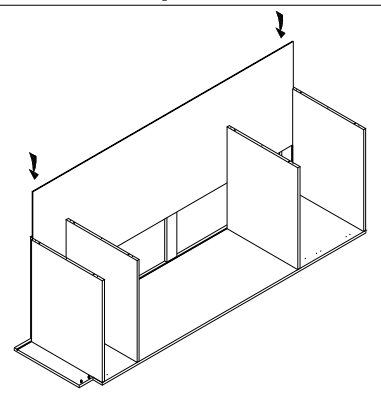
STEP 7 Fix the hinge base one the side panel and the hinge on the door.



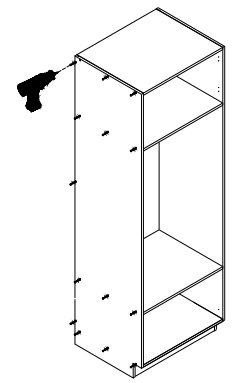
Step 2 keep the side plate flat on the floor, then insert top and bottom panel and fixing shelf



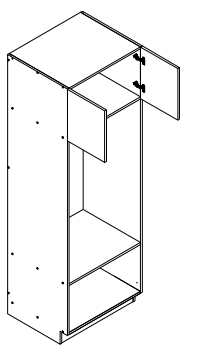
STEP 4 Insert the back panel.



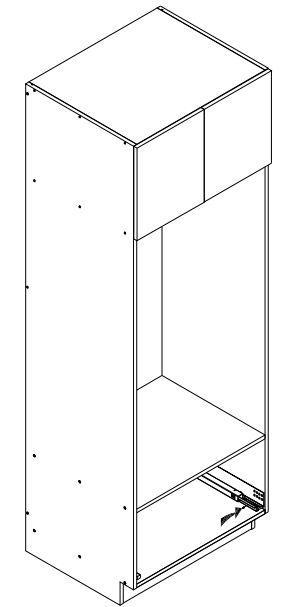
STEP 6 Turn the screw into the screw hole



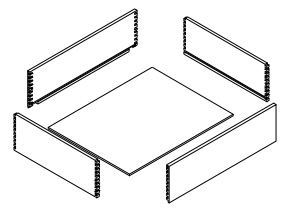
STEP 8 Press the hinges into the base, and then install doors.



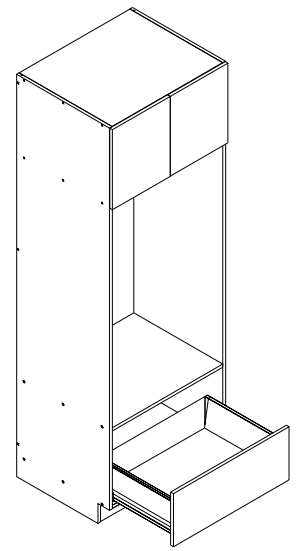
STEP 9 Install the slider



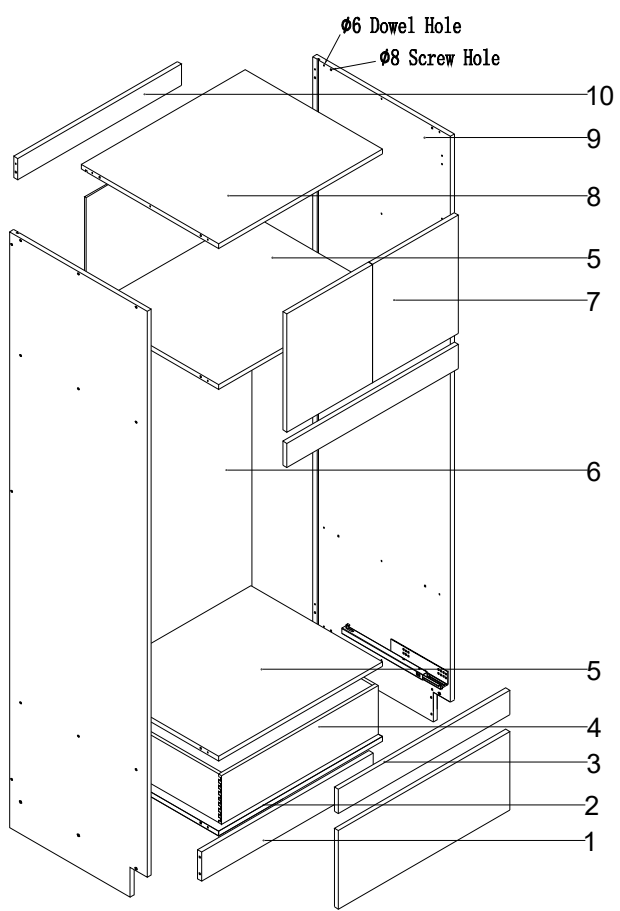
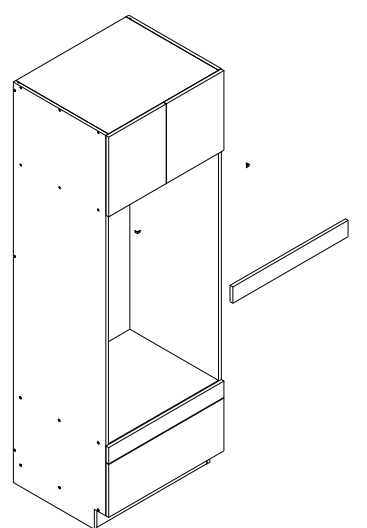
STEP 10 Drawer composition



STEP 12 Put the the drawer to the carcass cabinet accessible finished.



STEP 13 install the angle bracket on side panel, and connect the 3'' fixed panel accessible finished.



Materials List

Picture	Name
	Screws
	Dowel
	Hinge
	Slider
1	Kickboard
2	Bottom Panel
3	Drawer face panel
4	Drawer Box
5	Fixed Shelf
6	Back Panel
7	Door
8	Top Panel
9	Side Panel
10	Fixed Strip

STEP 11 Install drawer front panel

