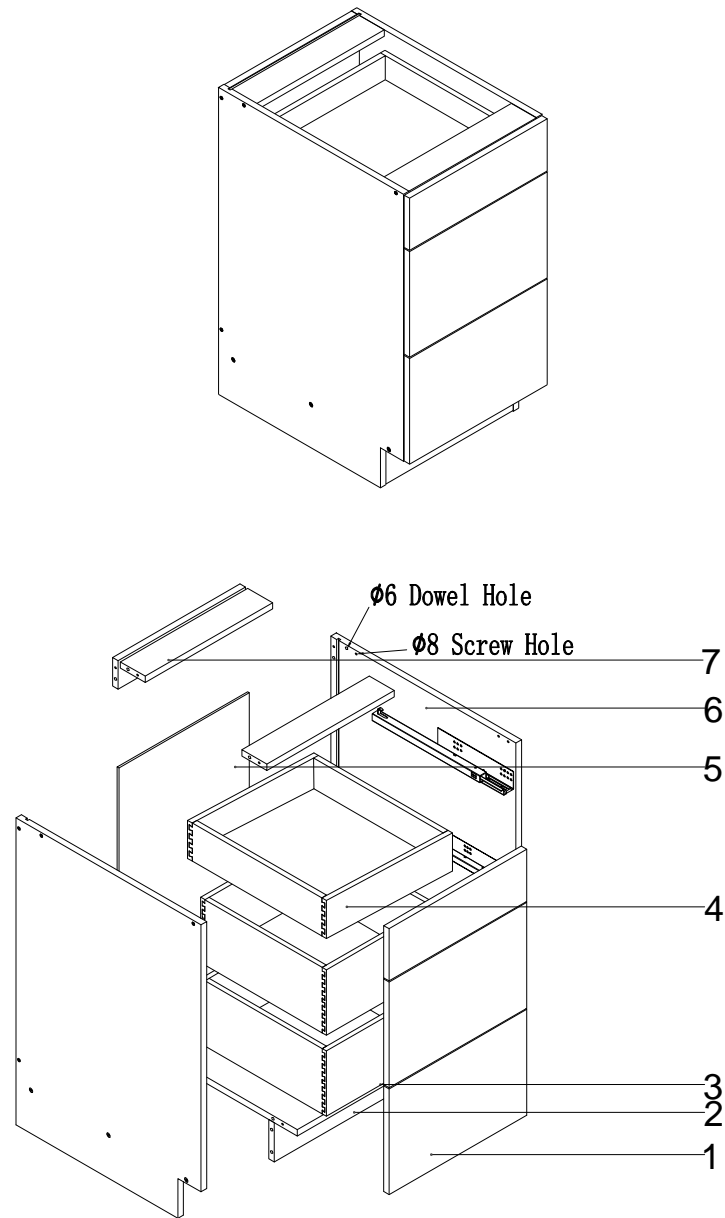
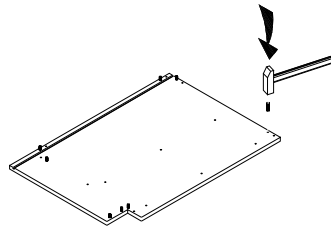
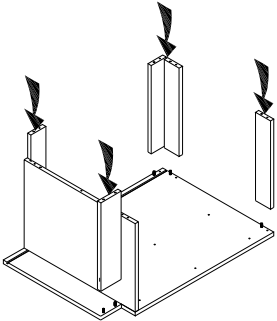
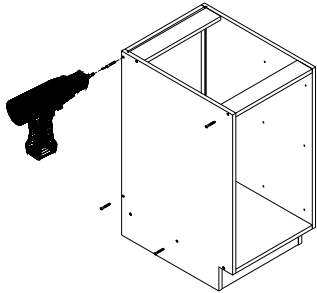
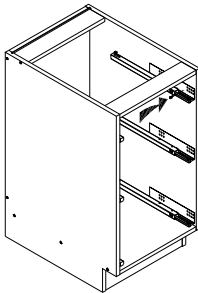
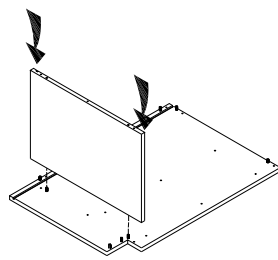
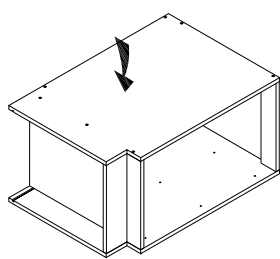
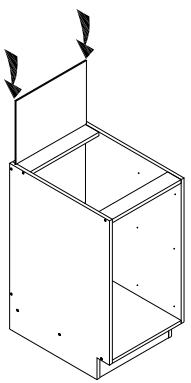
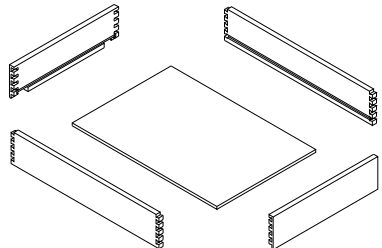
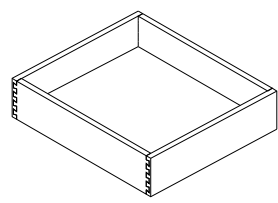
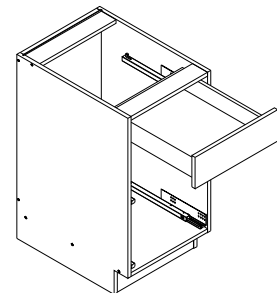
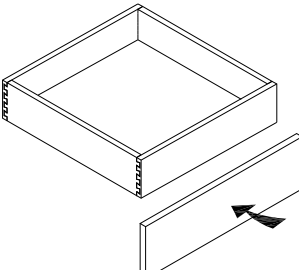
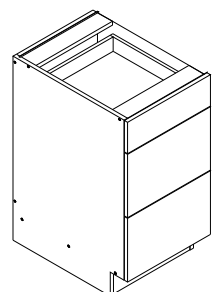


VDB12-3-VDB27-3

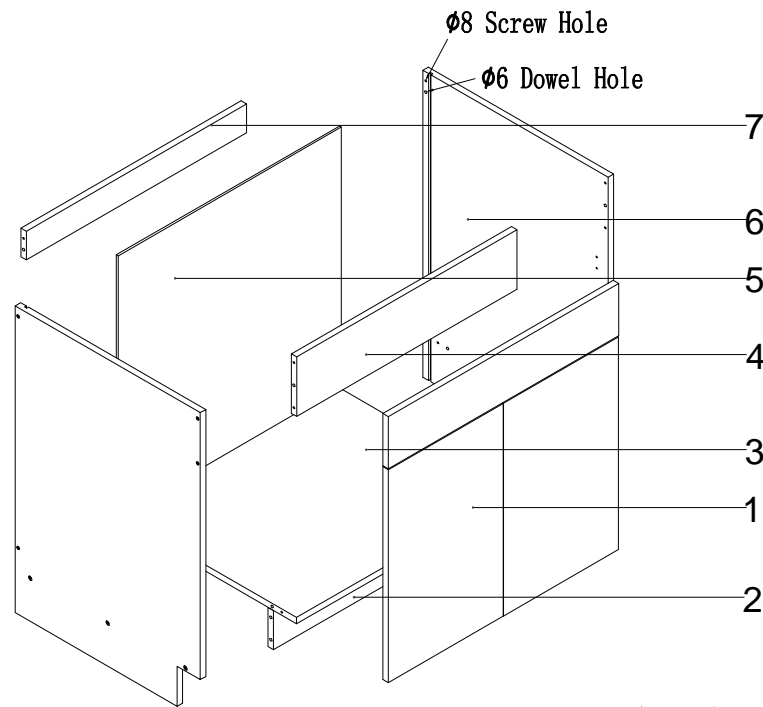
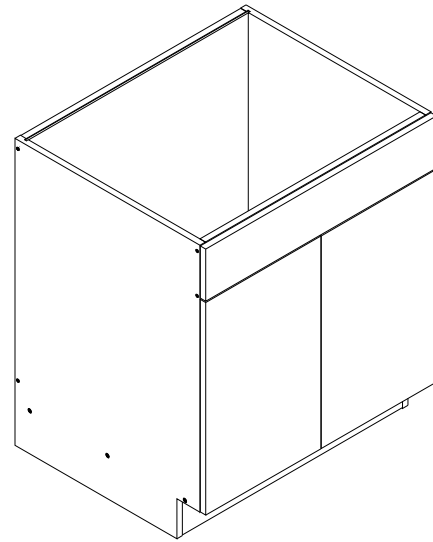


Materials List

Picture	Name
	Screws
	Dowel
	Slider
	Door
	Kickboard
	Bottom Panel
	Drawer box
	Back Panel
	Side Panel
	Fixed Strip

<p>STEP 1 Install the dowel into the side panels</p> 	<p>STEP 3 Insert the strip and kickboard</p> 	<p>STEP 5 Turn the screw into the screw hole</p> 	<p>STEP 7 Install the slider</p> 
<p>STEP 2 Keep a side panel flat on the floor, then insert bottom panel</p> 	<p>STEP 4 Put another side panel</p> 	<p>STEP 6 Insert the back panel</p> 	<p>STEP 8 Drawer composition</p> 
<p>Step 9 The drawer box accessible finished</p> 		<p>STEP 11 Put the the drawer to the carcass cabinet.</p> 	
<p>Step 10 Install drawer front panel</p> 		<p>STEP 12 Accessible Finished.</p> 	

VA24-VA36

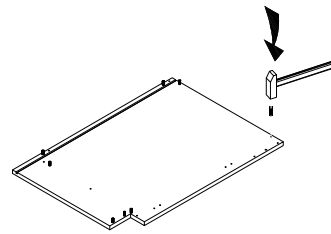


Ø8 Screw Hole
Ø6 Dowel Hole

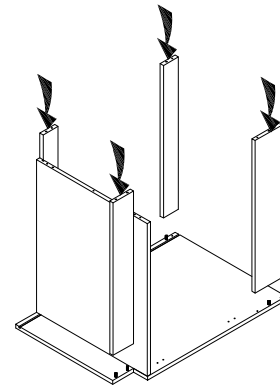
Materials List

Picture	Name
	Screws
	Dowel
	Hinge
1	Door
2	Kickboard
3	Bottom Panel
4	Filler
5	Back Panel
6	Side Panel
7	Fixed Strip

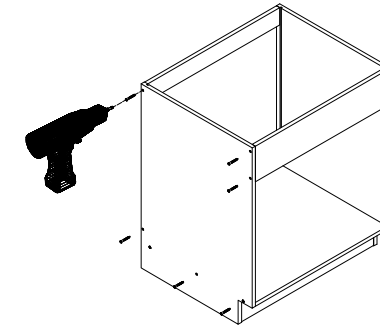
STEP 1 Install the dowel into the side panels



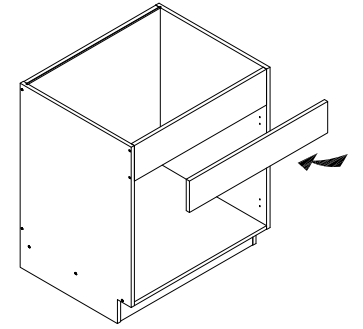
STEP 3 Insert the strip and kickboard



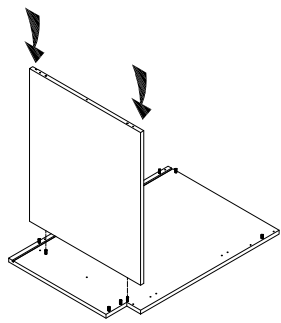
STEP 5 Turn the screw into the screw hole



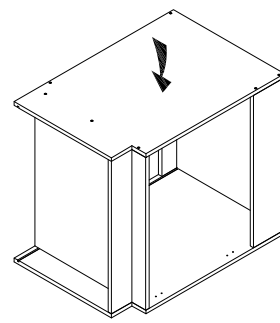
STEP 7 Install false drawer panel.



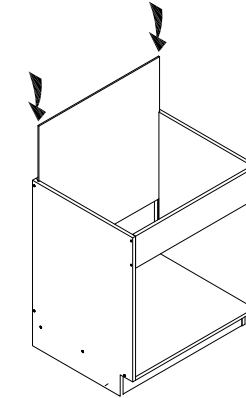
STEP 2 Keep a side panel flat on the floor, then insert bottom panel



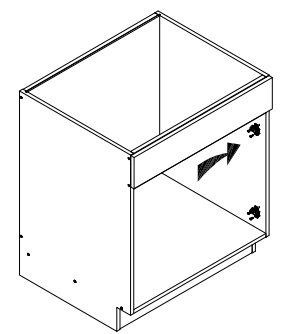
STEP 4 Put another side panel



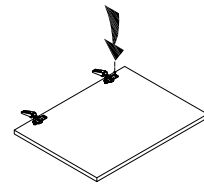
STEP 6 Insert the back panel.



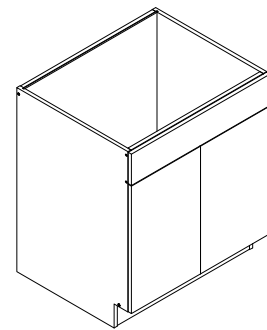
STEP 8 Fix the hinge base one the side panel.



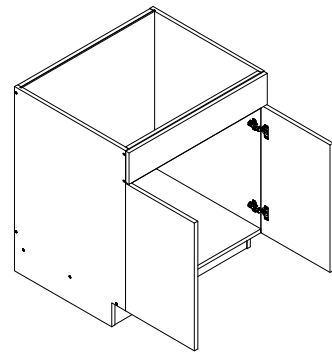
STEP 9 Install the hinge on the door.



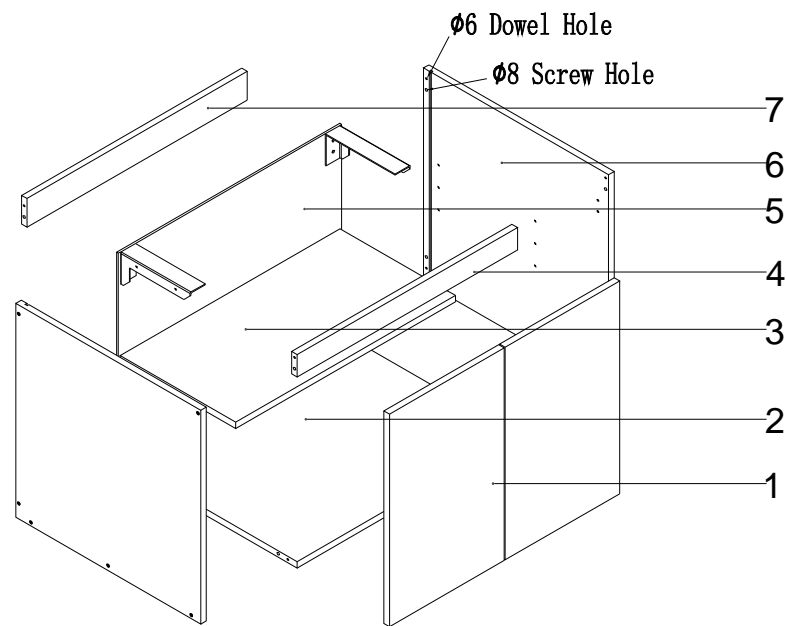
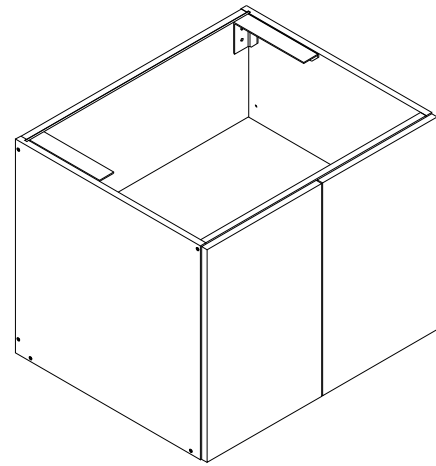
STEP 11 Accessible Finished.



STEP 10 Press the hinges into the base, and then install doors.

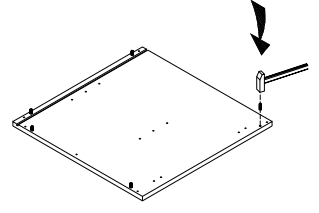
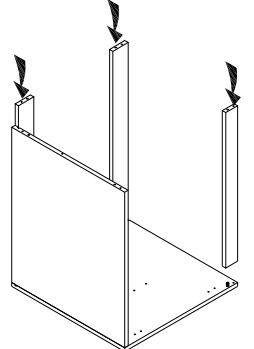
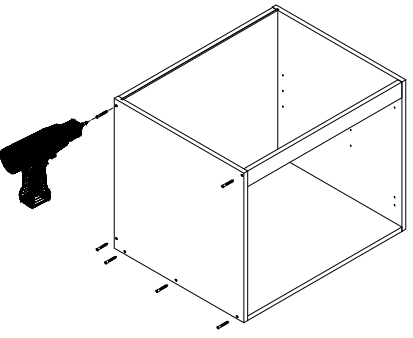
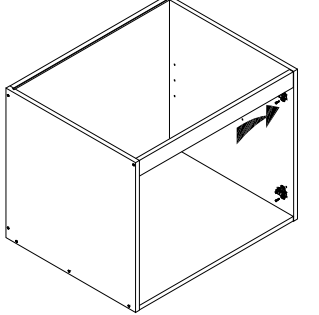
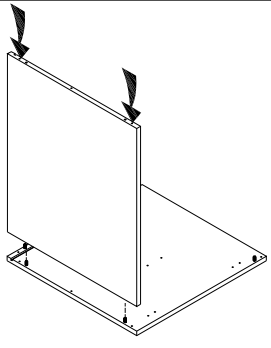
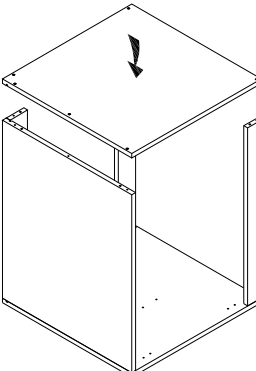
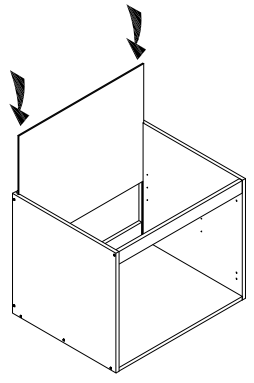
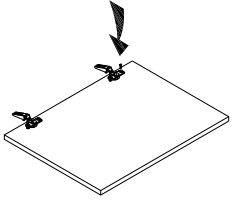
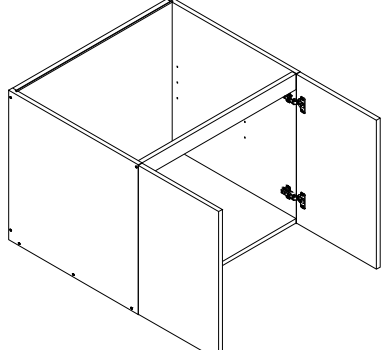
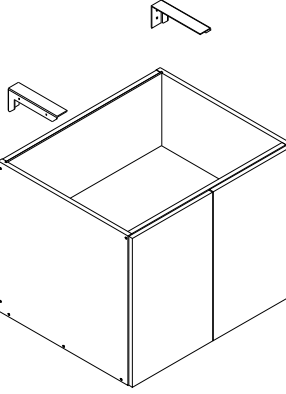
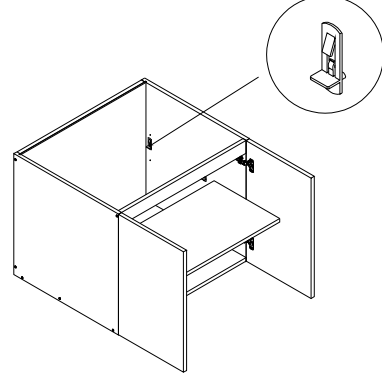


FVA24-FVA36

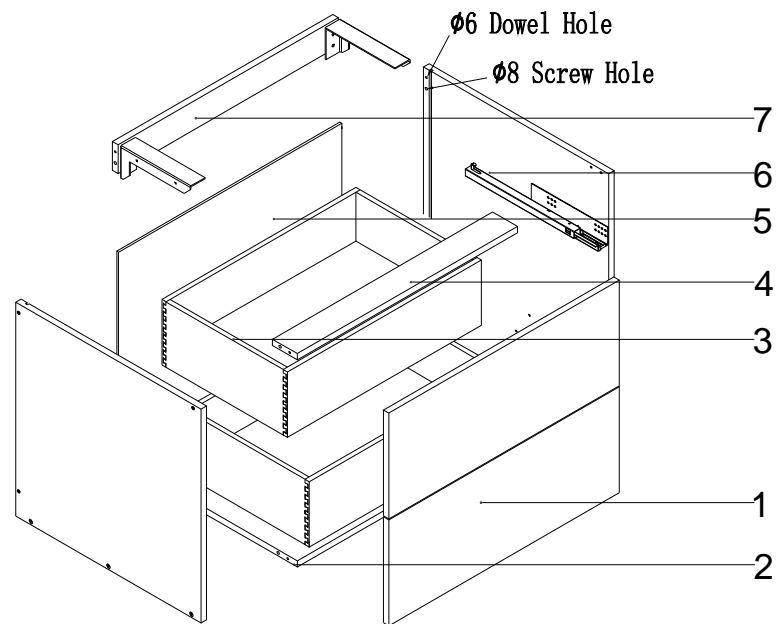
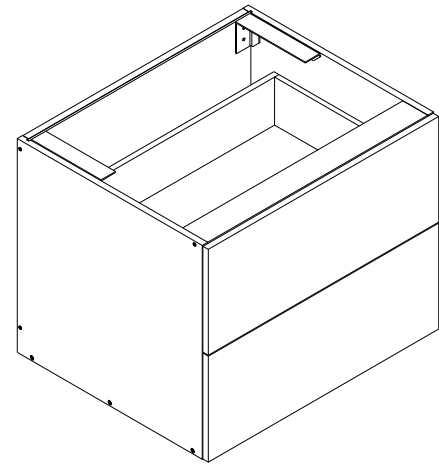


Materials List

Picture	Name	QTY
	Screws	
	Dowel	
	Hinge	
	Support Frame	
1	Door	
2	Bottom Panel	
3	Shelf	
4	Filler	
5	Back Panel	
6	Side Panel	
7	Fixed Strip	

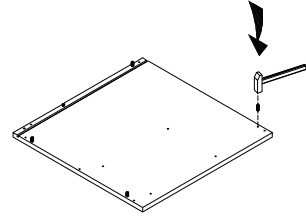
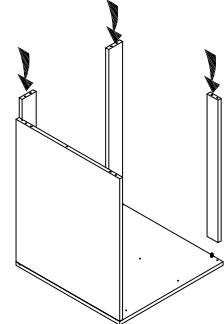
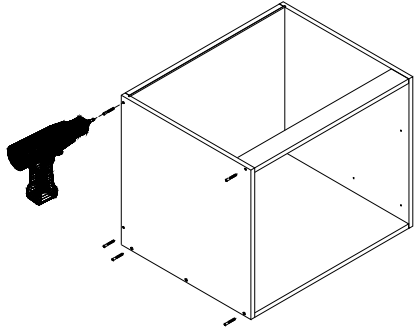
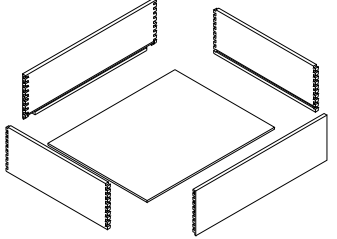
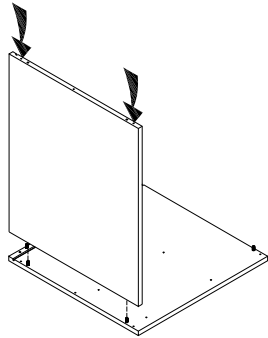
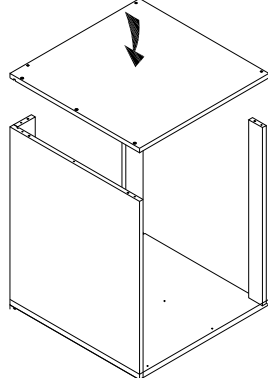
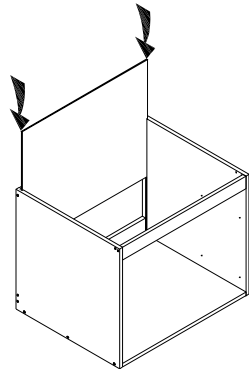
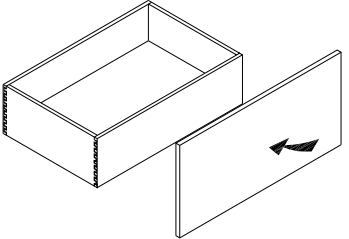
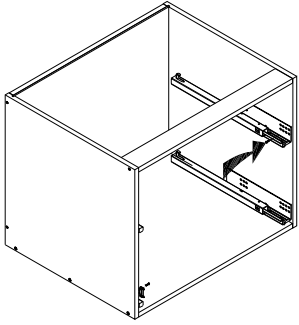
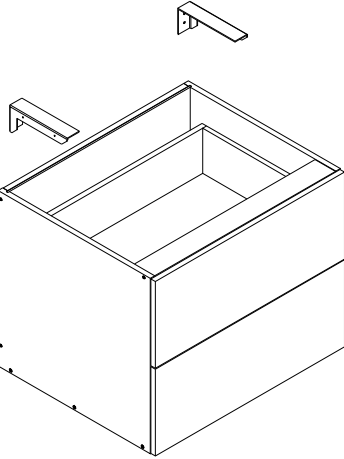
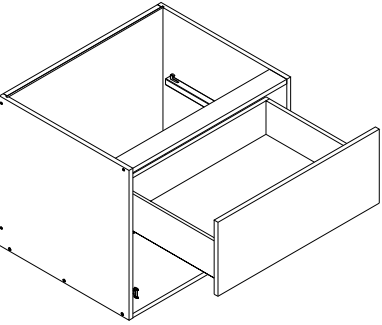
<p>STEP 1 Install the dowel into the side panels</p> 	<p>STEP 3 Insert the strip and filler.</p> 	<p>STEP 5 Turn the screw into the screw hole</p> 	<p>STEP 7 Fix the hinge base one the side panel.</p> 
<p>STEP 2 Keep a side panel flat on the floor, then insert bottom panel</p> 	<p>STEP 4 Put another side panel</p> 	<p>STEP 6 Insert the back panel.</p> 	<p>STEP 8 Install the hinge on the door.</p> 
<p>STEP 9 Press the hinges into the base, and then install doors.</p> 		<p>STEP 11 Install the support frame, accessible finished.</p> 	
<p>STEP 10 Install the shelf support and shelf.</p> 			

FVDB12-FVDB36

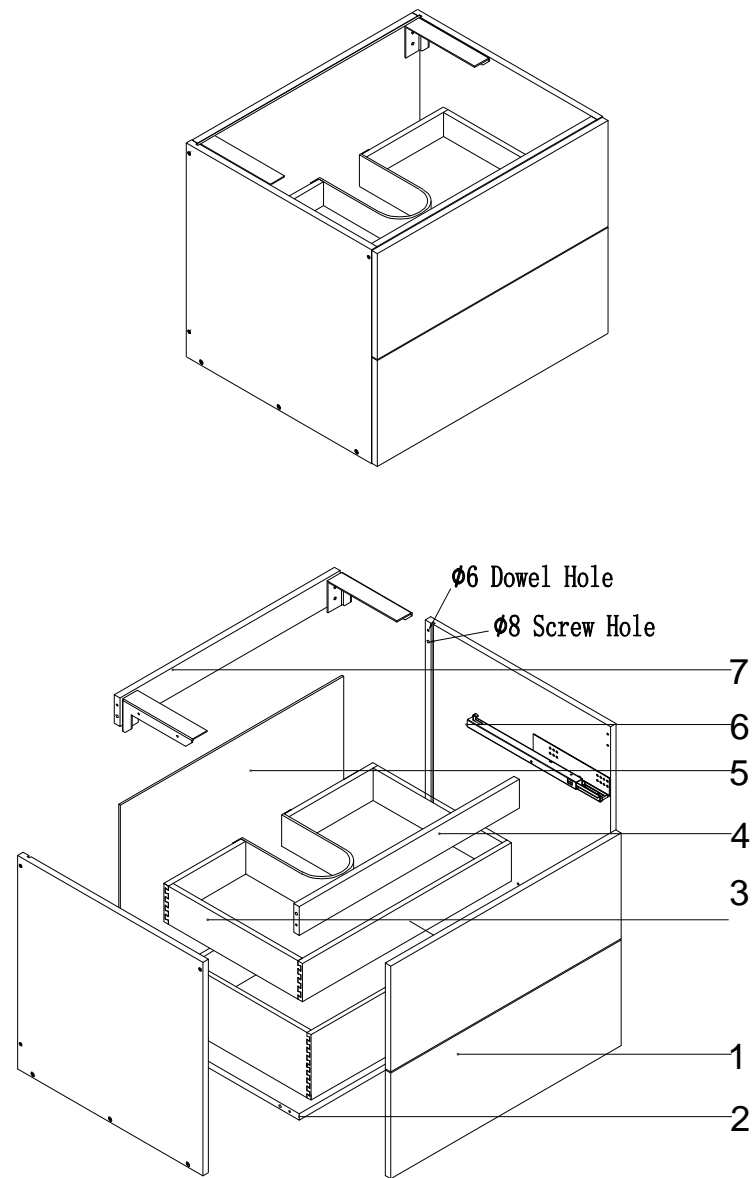


Materials List

Picture	Name	QTY
	Screws	
	Dowel	
	Hinge	
	Support Frame	
	Slider	
	1 Door	
	2 Bottom Panel	
	3 Drawer Box	
	4 Filler	
	5 Back Panel	
	6 Side Panel	
	7 Fixed Strip	

<p>STEP 1 Install the dowel into the side panels</p> 	<p>STEP 3 Insert the strip and filler.</p> 	<p>STEP 5 Turn the screw into the screw hole</p> 	<p>STEP 7 Drawer composition</p> 
<p>STEP 2 Keep a side panel flat on the floor, then insert bottom panel</p> 	<p>STEP 4 Put another side panel</p> 	<p>STEP 6 Insert the back panel.</p> 	<p>Step 8 Install drawer front panel</p> 
<p>STEP 9 Install the slider</p> 	<p>STEP 11 Install the support frame, accessed finished.</p> 		
<p>STEP 10 Put the the drawer to the carcass cabinet.</p> 			

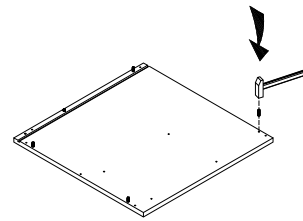
FVSD24/FVSD30/FVSD36



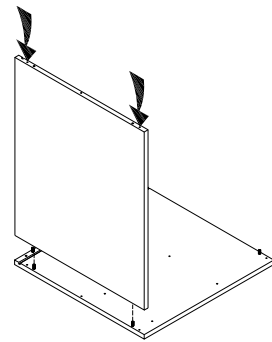
Materials List

Picture	Name	QTY
	Screws	
	Dowel	
	Hinge	
	Support Frame	
	Slider	
	1 Door	
	2 Bottom Panel	
	3 Drawer Box	
	4 Filler	
	5 Back Panel	
	6 Side Panel	
	7 Fixed Strip	

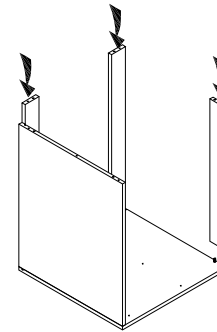
STEP 1 Install the dowel into the side panels



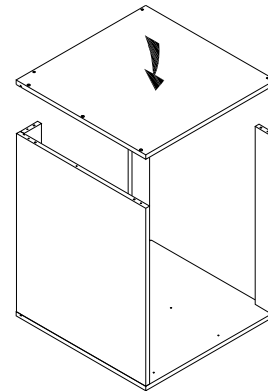
STEP 2 Keep a side panel flat on the floor, then insert bottom panel



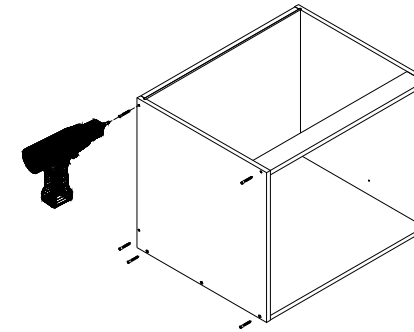
STEP 3 Insert the strip and filler.



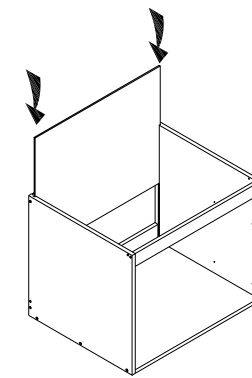
STEP 4 Put another side panel



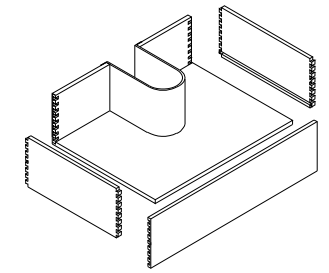
STEP 5 Turn the screw into the screw hole



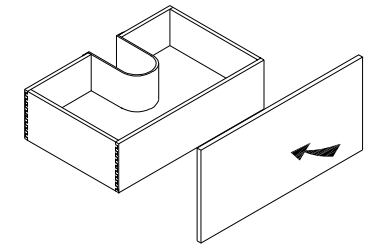
STEP 6 Insert the back panel.



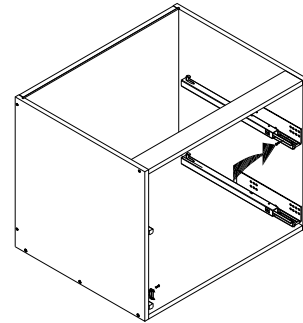
STEP 7 Drawer composition



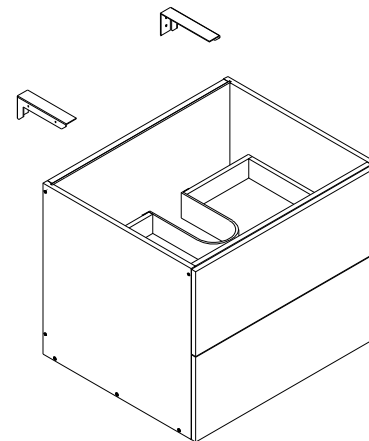
Step 8 Install drawer front panel



STEP 9 Install the slider



STEP 11 Install the support frame, accessed finished.



STEP 10 Put the the drawer to the carcass cabinet.

