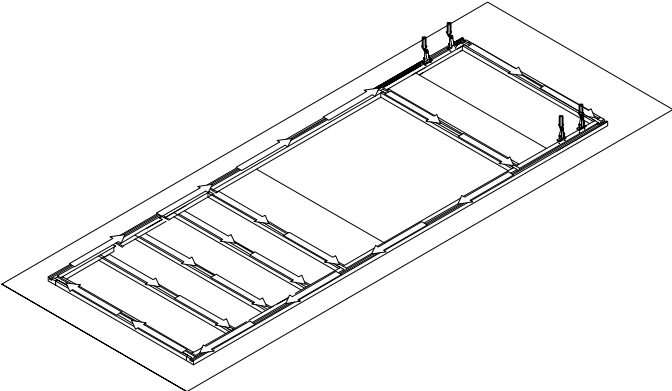
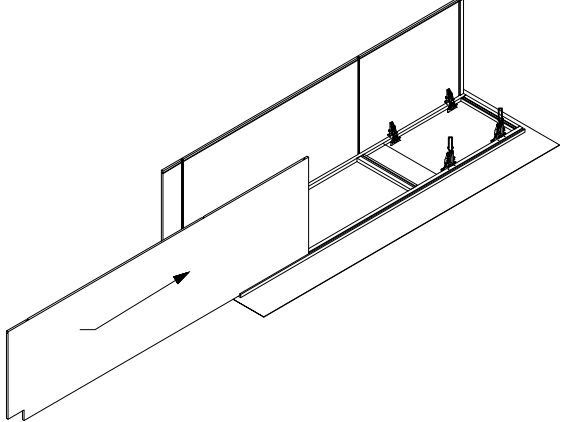
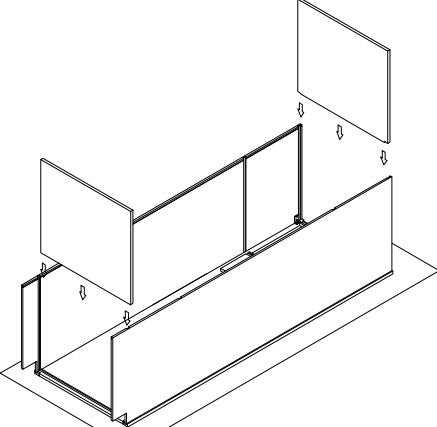
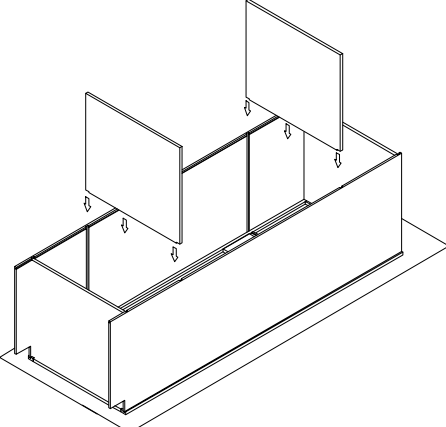
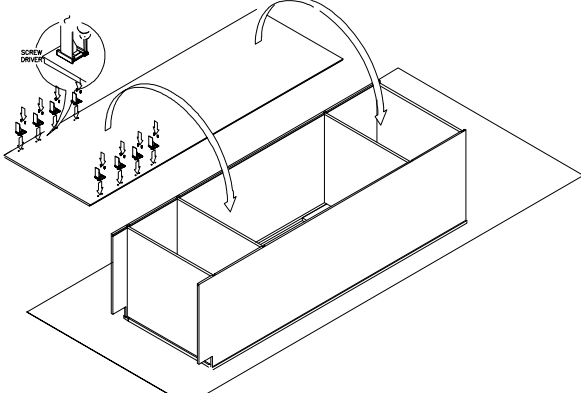
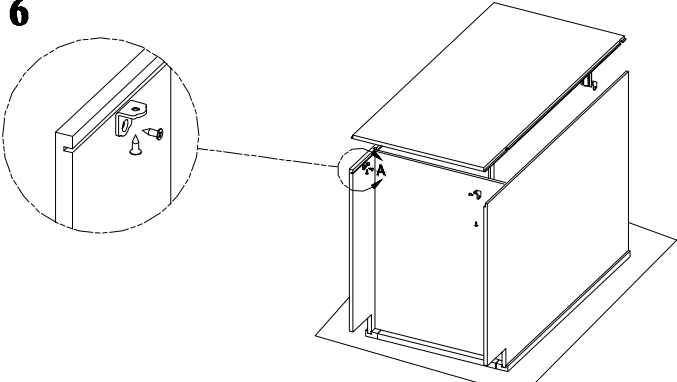
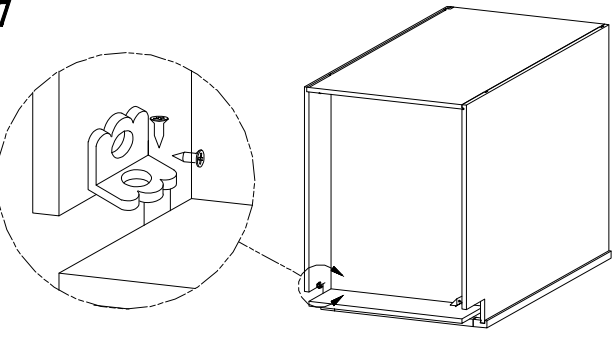
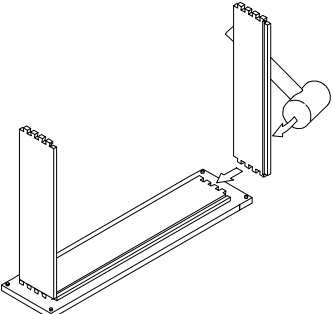
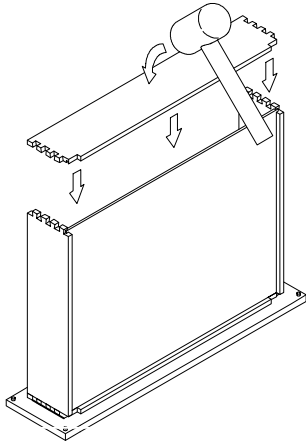




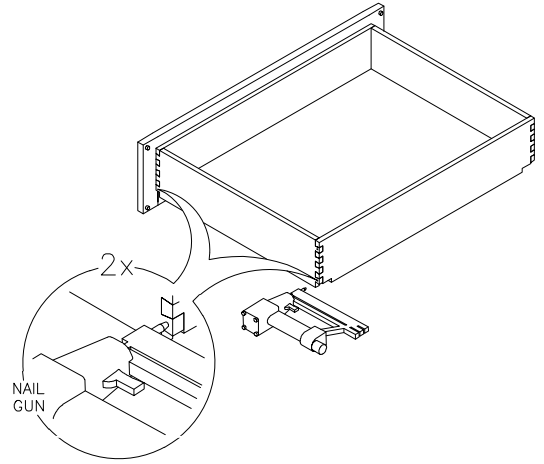
OD Cabinets Assembly Instructions

<p>1</p> 	<p>2</p> 
<p>3</p> 	<p>4</p> 
<p>5</p> 	<p>6</p> 
<p>7</p> 	<p>8</p> 

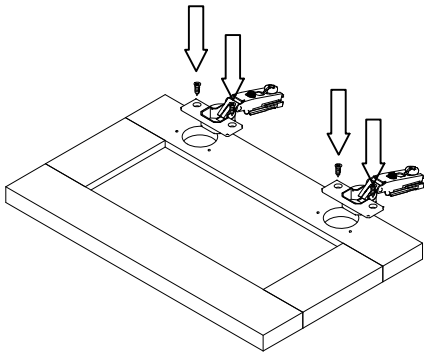
9



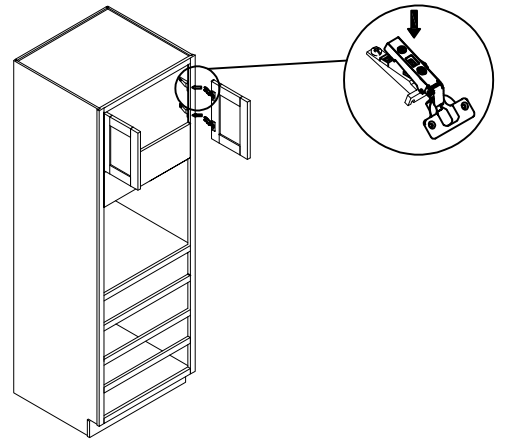
10



11

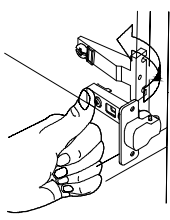


12

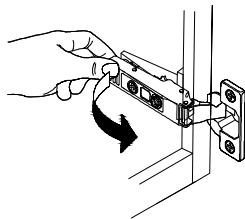


13

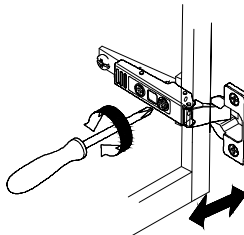
Hinge installation and adjustment



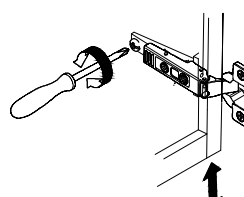
Click and lock



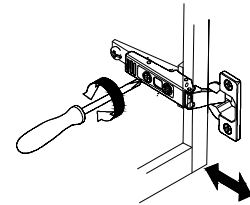
Click and remove



Side adjustment

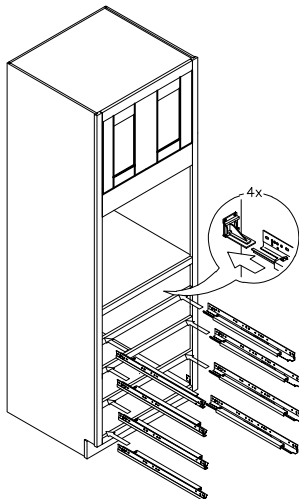


Up&dowr adjustment

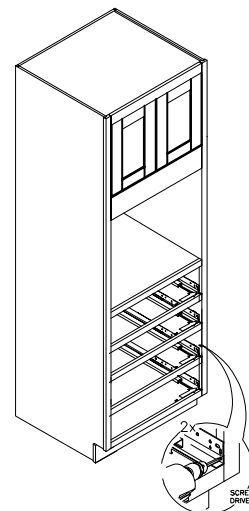


Depth adjustment

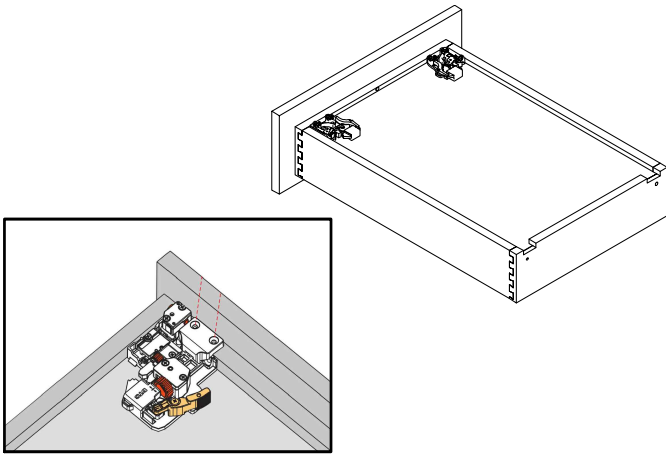
14



15

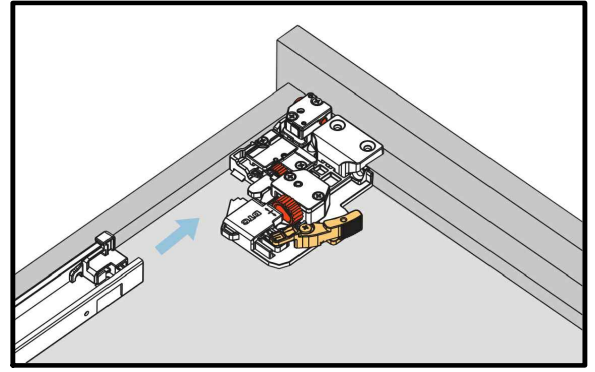


16



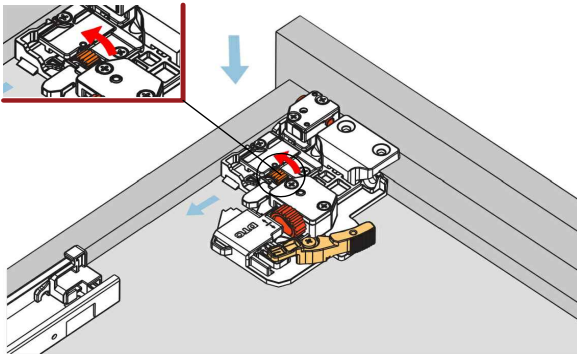
Put the adjusting part b on d tighten the screws.

17



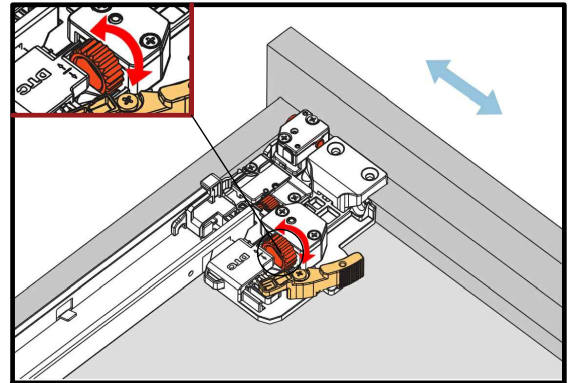
Lay the drawer bottom onto the slide then push the drawer into the cabinet.

18



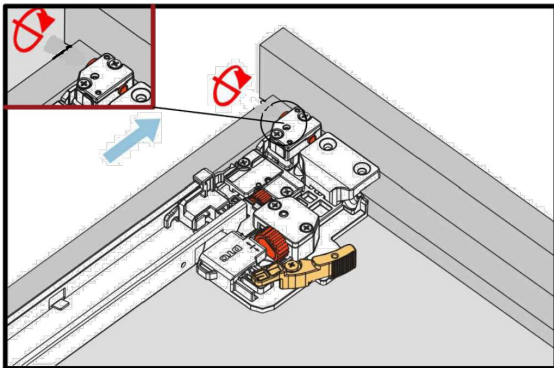
Up&Down adjustment

19



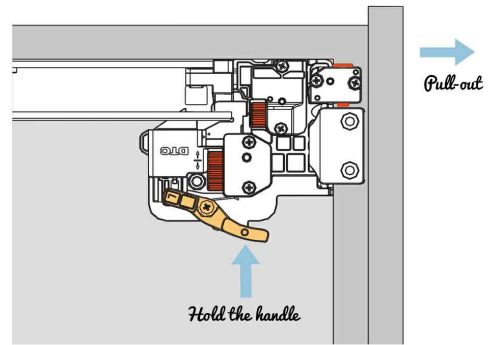
Side adjustment

20



Depth adjustment

21



Removal

22

