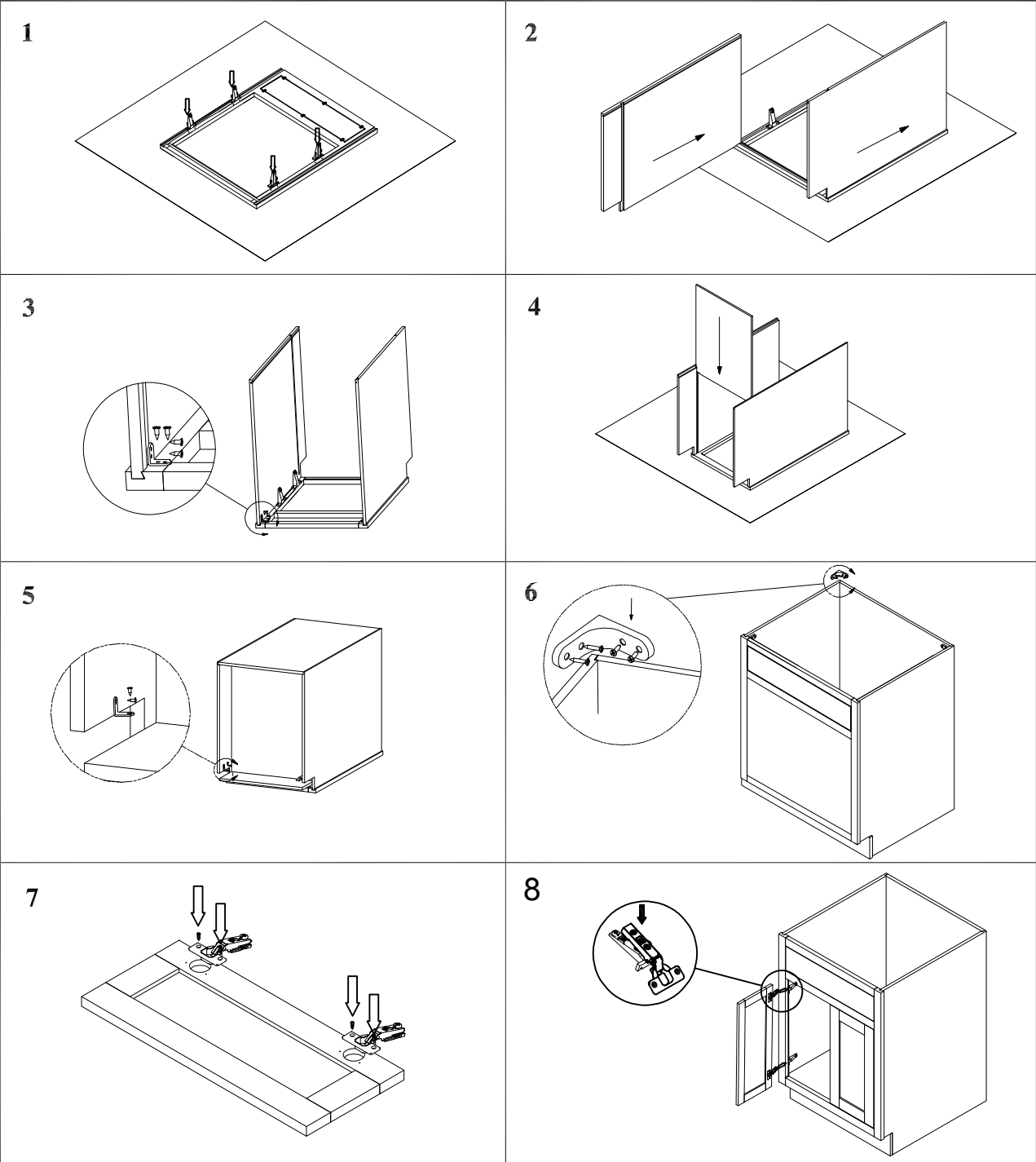


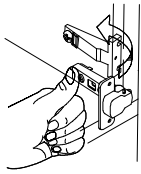


Sink Base Cabinet Assembly Instructions

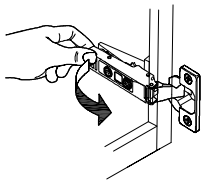


9

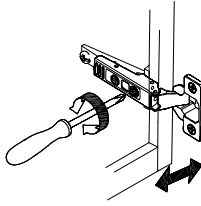
Hinge installation and adjustment



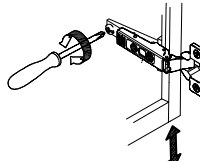
Click and lock



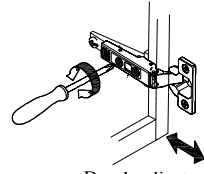
Click and remove



Side adjustment



Up&dowr adjustment



Depth adjustment

10

