

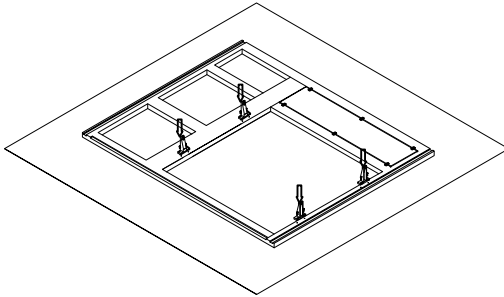
Vanity with Drawers Assembly Instructions



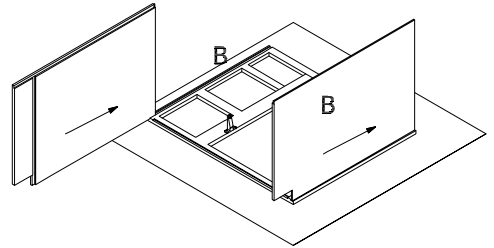
Assembly Instruction QR Code



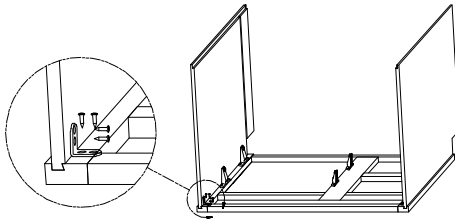
1



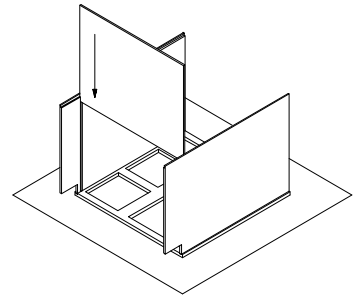
2



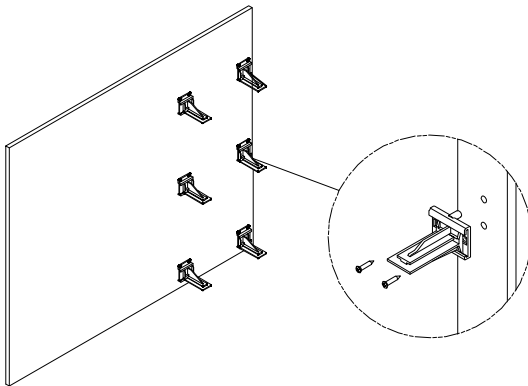
3



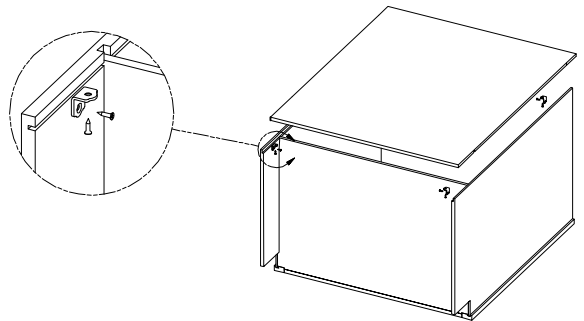
4



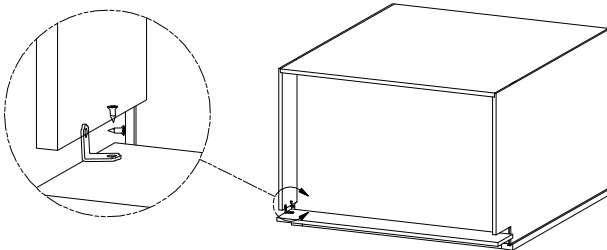
5



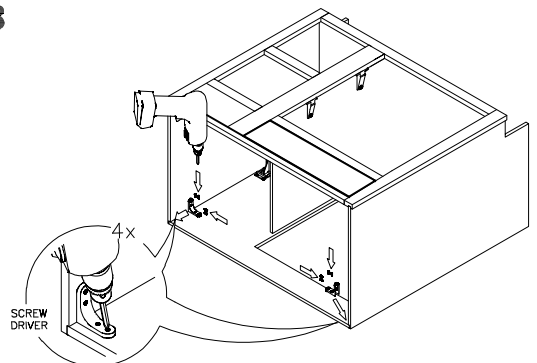
6



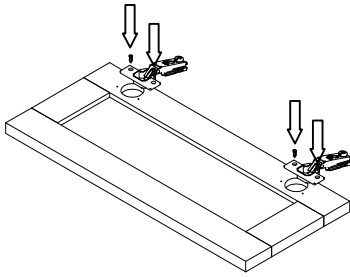
7



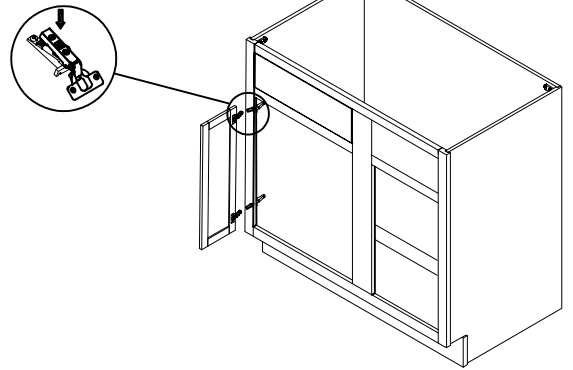
8



9

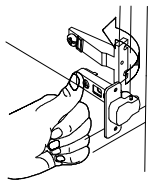


10

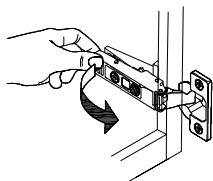


11

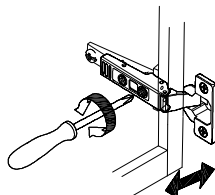
Hinge installation and adjustment



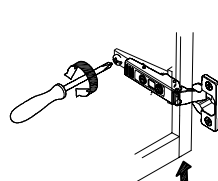
Click and lock



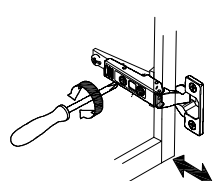
Click and remove



Side adjustment

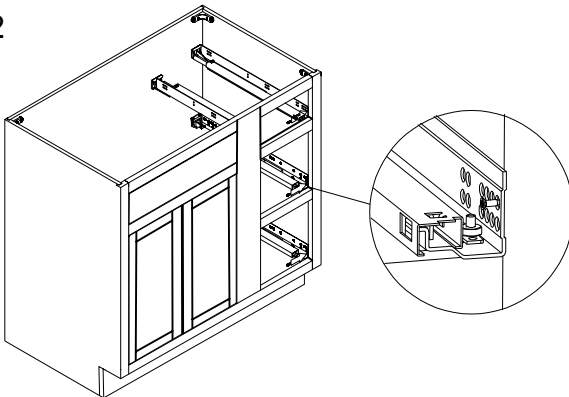


Up&dowr adjustment

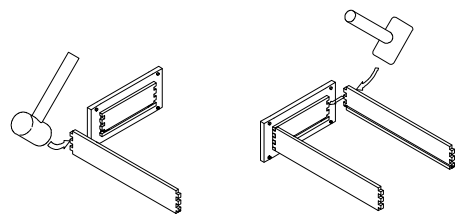


Depth adjustment

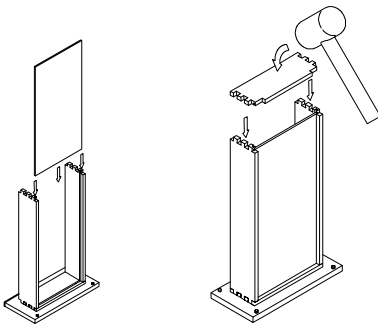
12



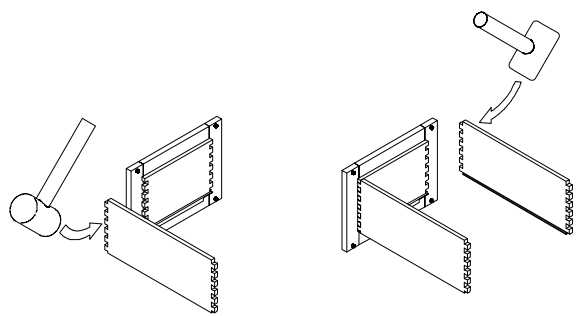
13



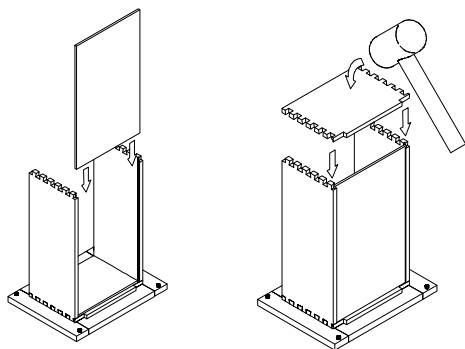
14



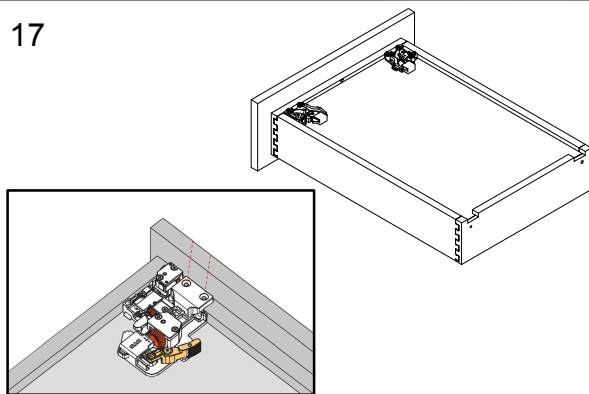
15



16

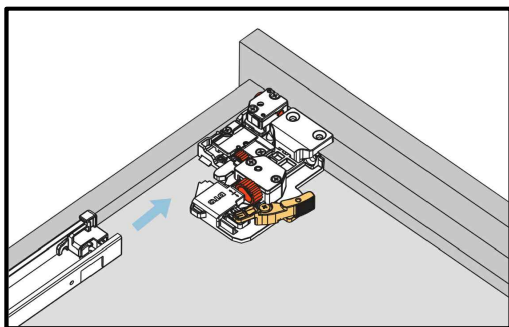


17



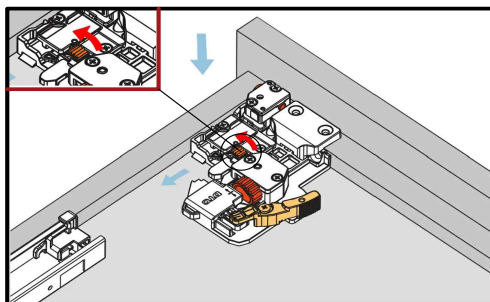
Put the adjusting part back and tighten the screws.

18



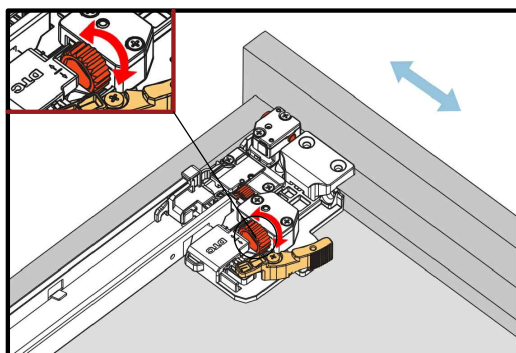
Lay the drawer bottom onto the side then push the drawer into the cabinet.

19



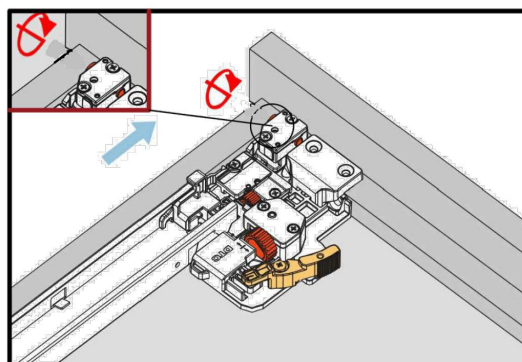
Up&Down adjustment

20



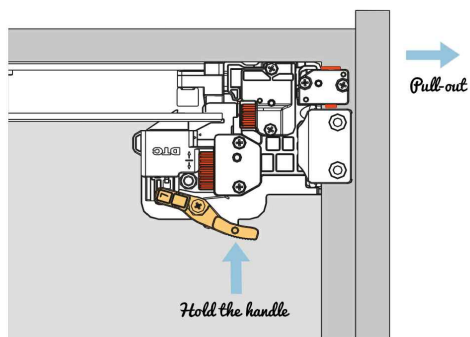
Side adjustment

21



Depth adjustment

22



Removal

22

