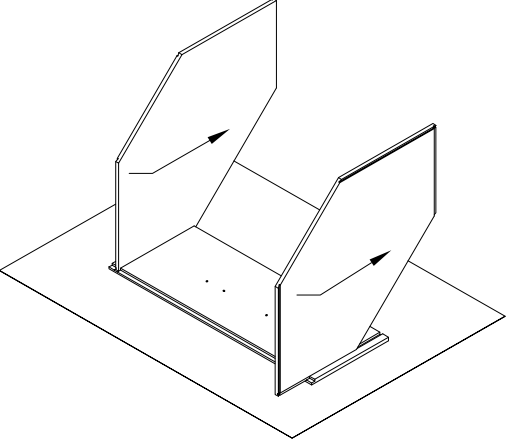
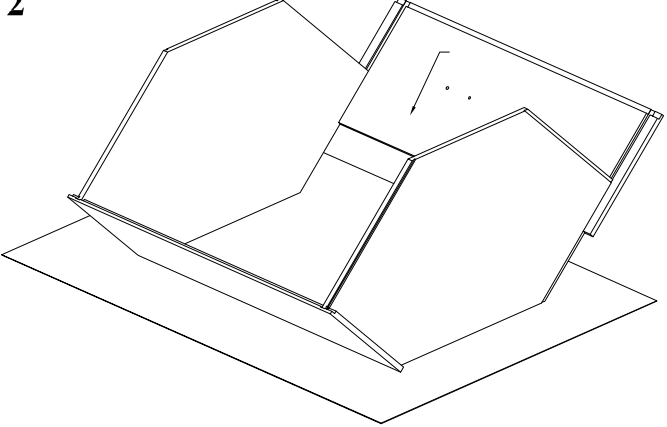
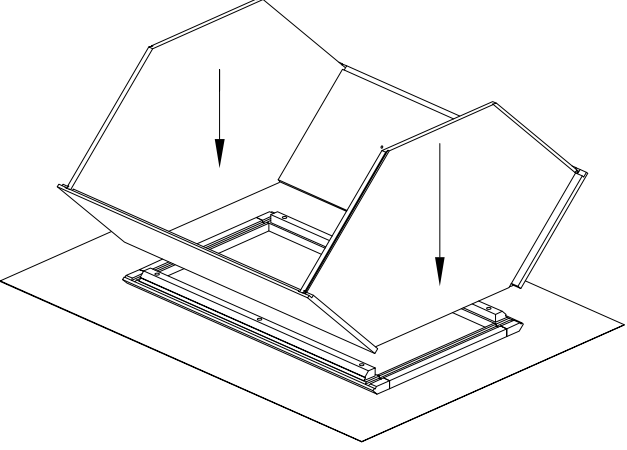
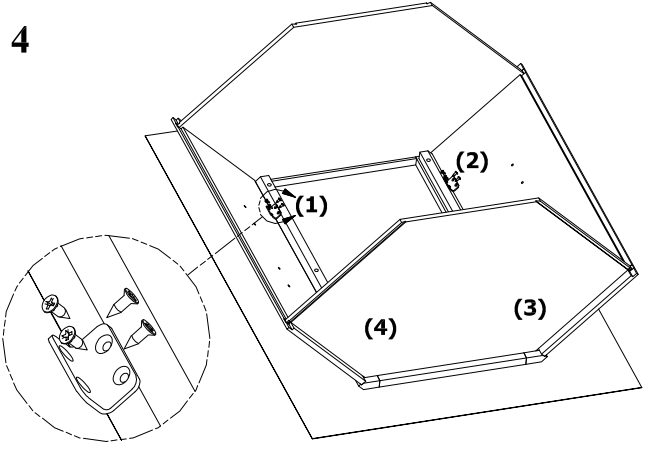
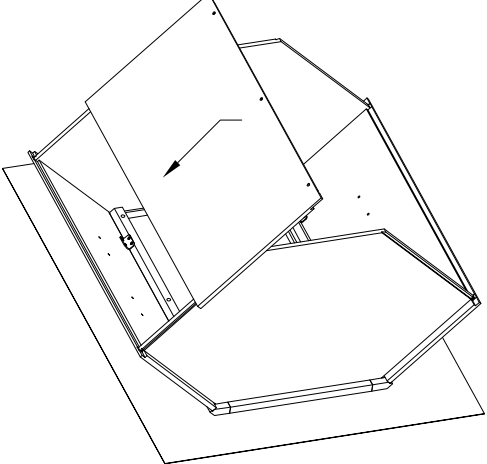
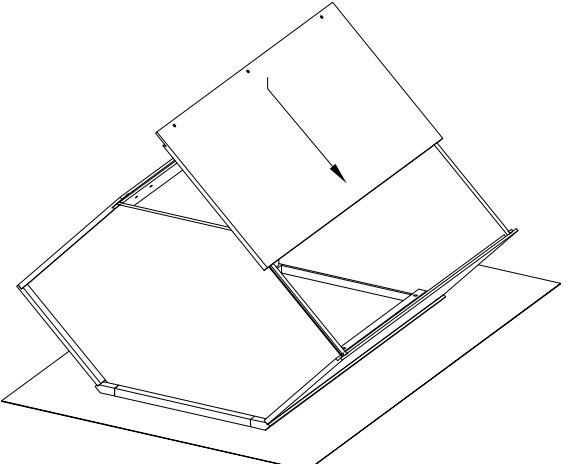
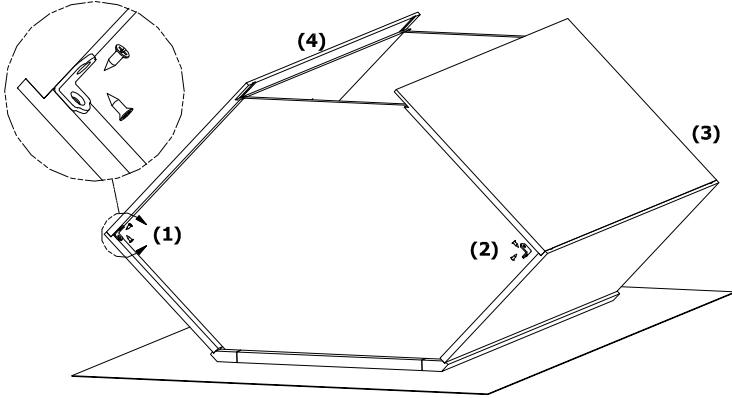




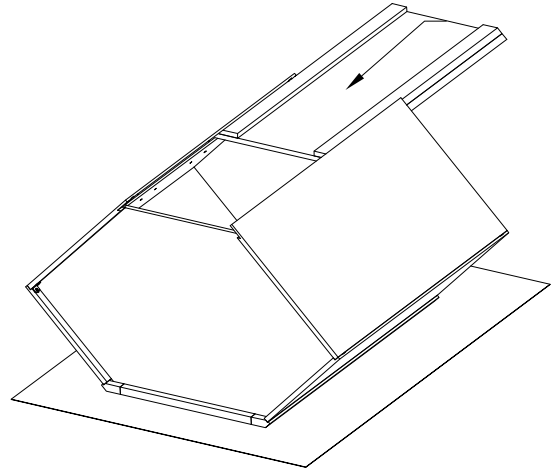
WDC Assembly Instructions

<p>1</p>  <p>Diagram 1 shows the base of the cabinet being assembled. Two side panels are being attached to the base. Arrows indicate the direction of movement for the panels.</p>	<p>2</p>  <p>Diagram 2 shows the top panel being attached to the side panels. An arrow indicates the direction of movement for the top panel.</p>
<p>3</p>  <p>Diagram 3 shows the bottom panel being attached to the base. Two arrows indicate the direction of movement for the bottom panel.</p>	<p>4</p>  <p>Diagram 4 shows the top panel being attached to the side panels. The diagram includes a callout showing hardware (screws and washers) being used to secure the top panel. The callout is labeled (1) and (2). The top panel is labeled (3) and (4).</p>
<p>5</p>  <p>Diagram 5 shows the top panel being attached to the side panels. An arrow indicates the direction of movement for the top panel.</p>	<p>6</p>  <p>Diagram 6 shows the top panel being attached to the side panels. An arrow indicates the direction of movement for the top panel.</p>

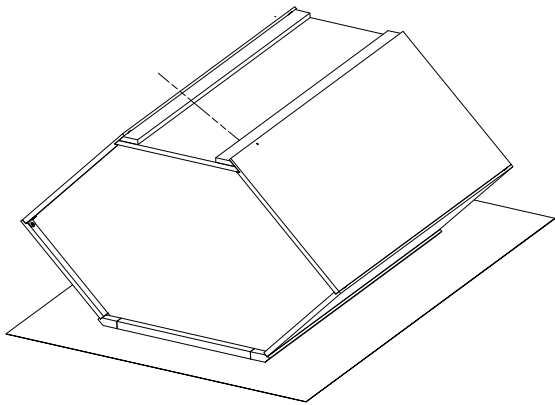
7



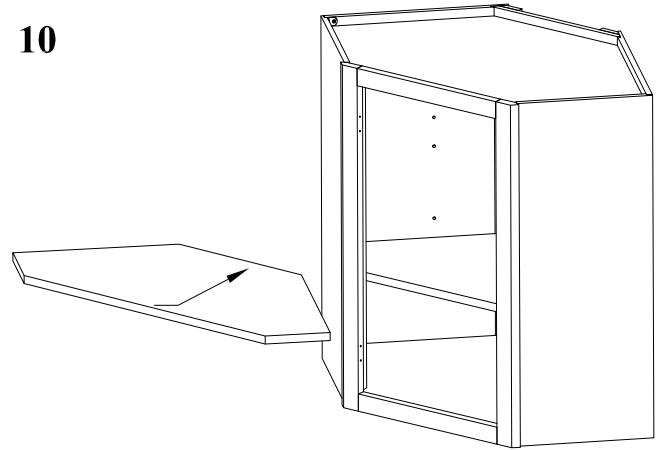
8



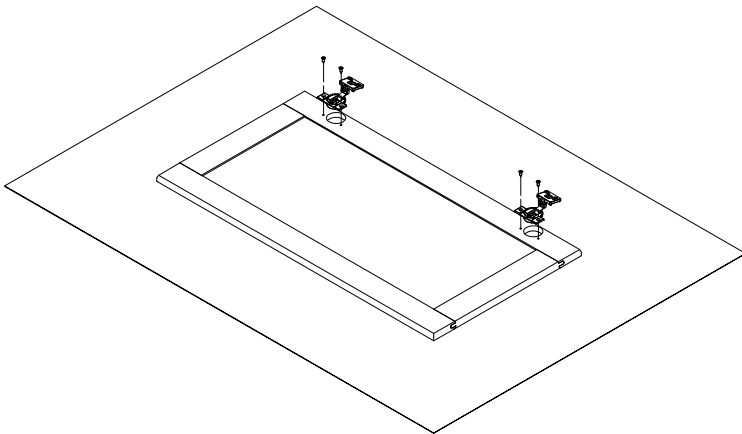
9



10



11



12

