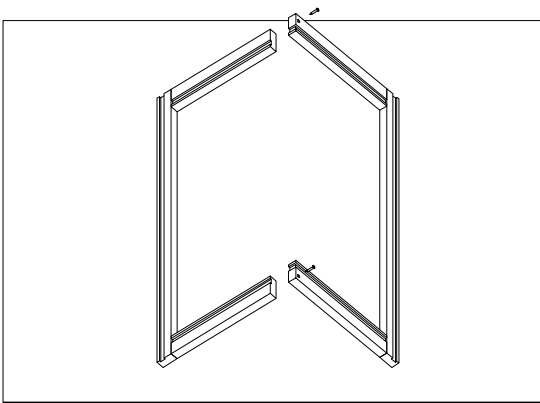


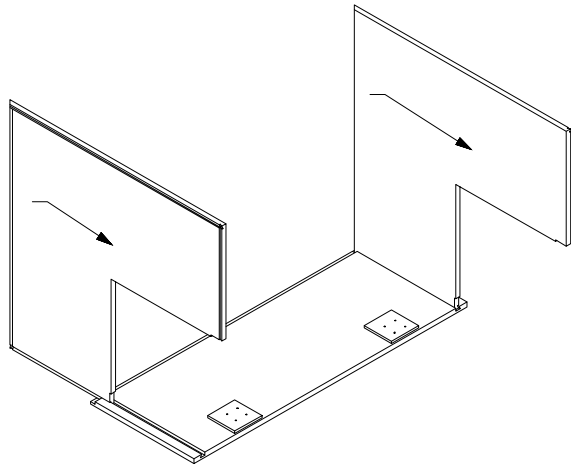


## WER Assembly Instructions

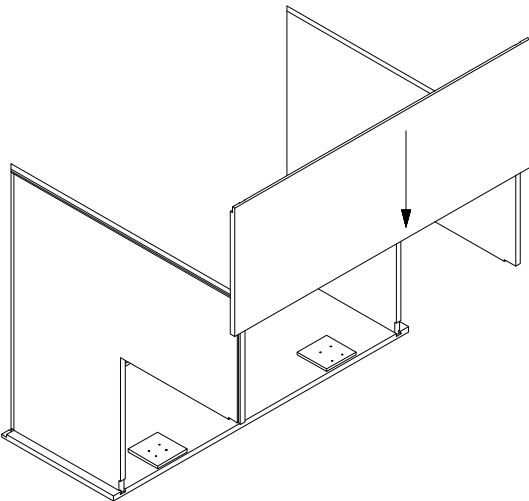
1



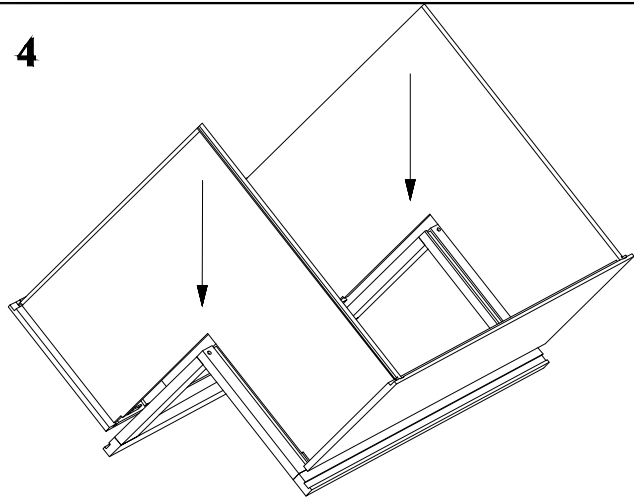
2



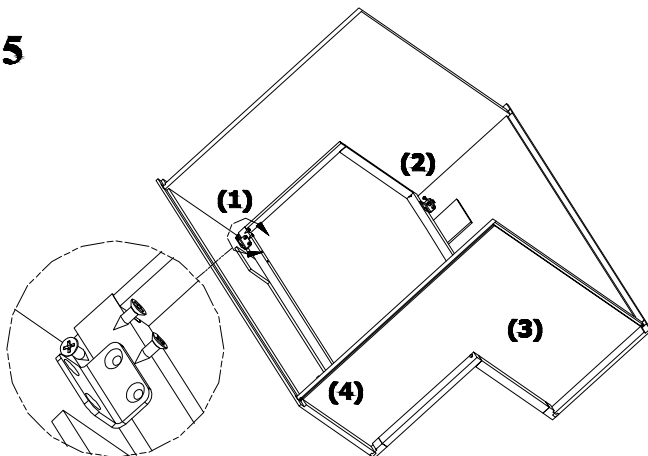
3



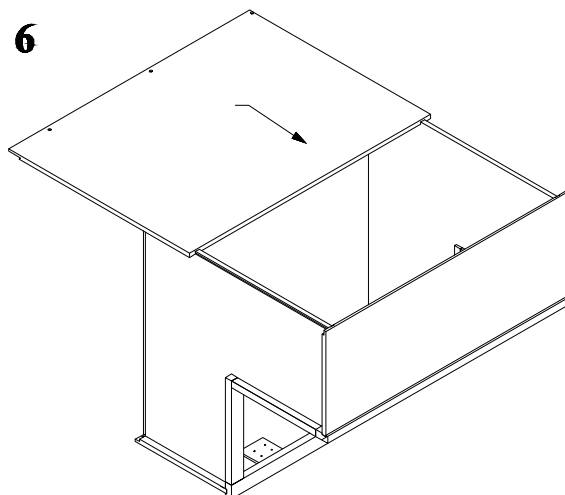
4



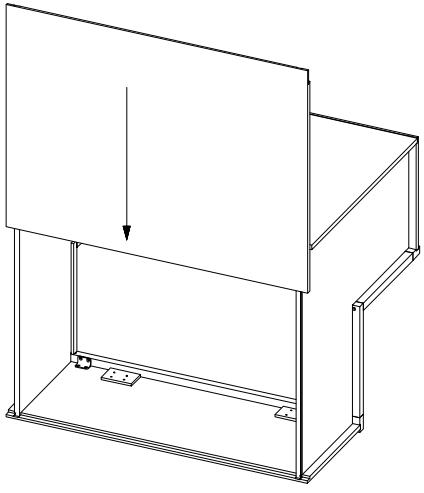
5



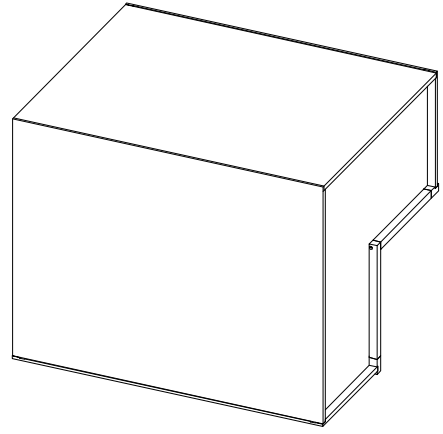
6



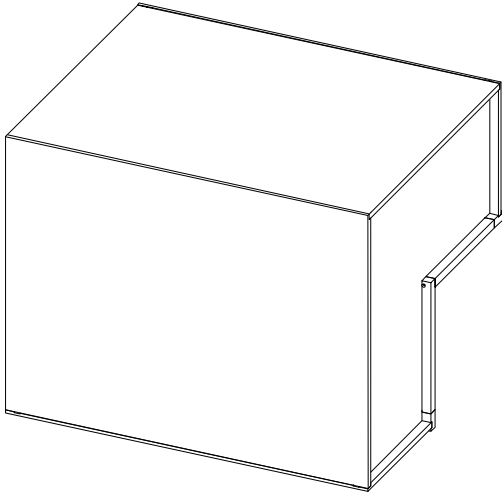
7



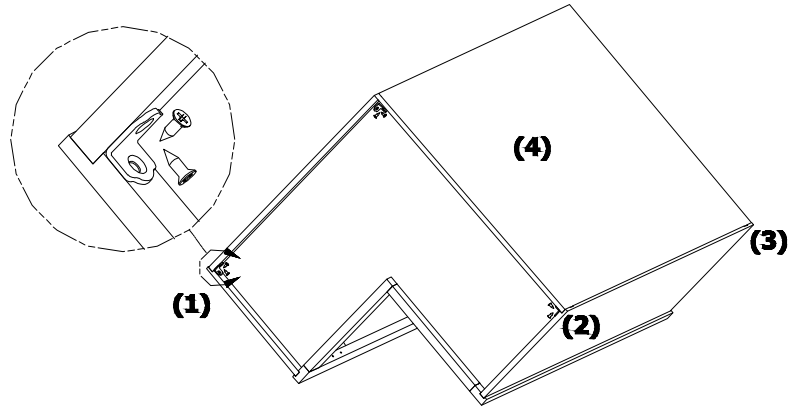
8



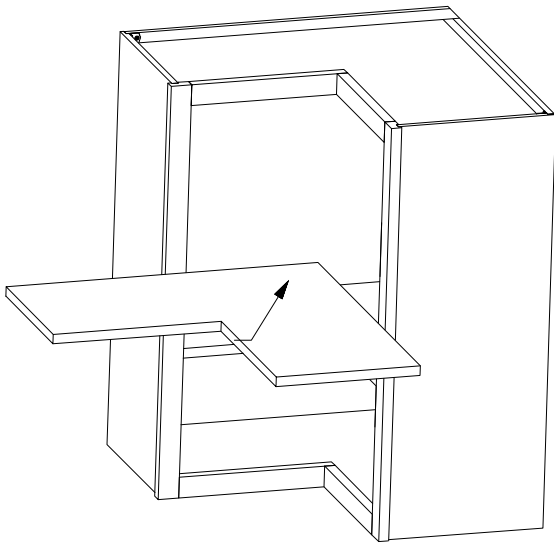
9



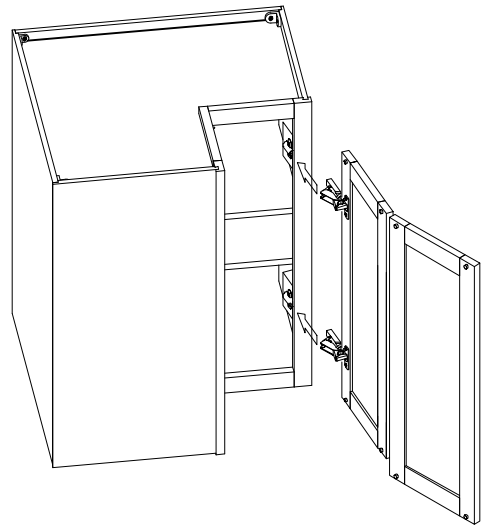
10



11

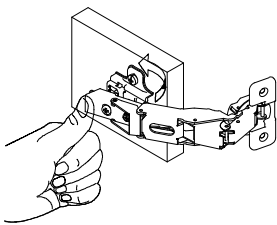


12

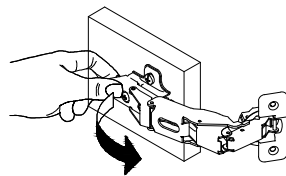


13

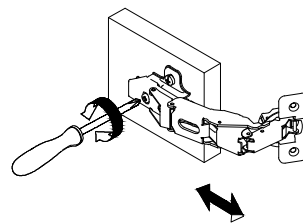
Hinge installation and adjustment



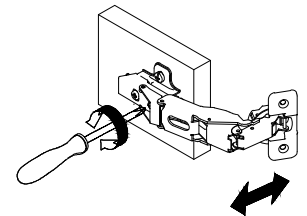
Click and lock



Click and remove



Depth adjustment



Side adjustment