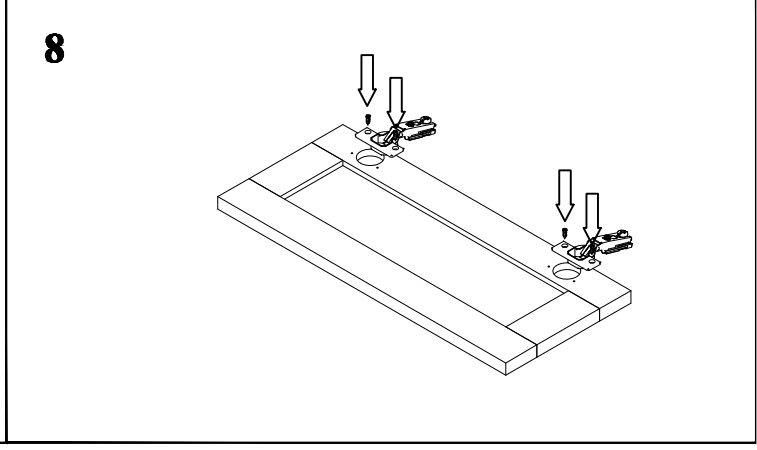
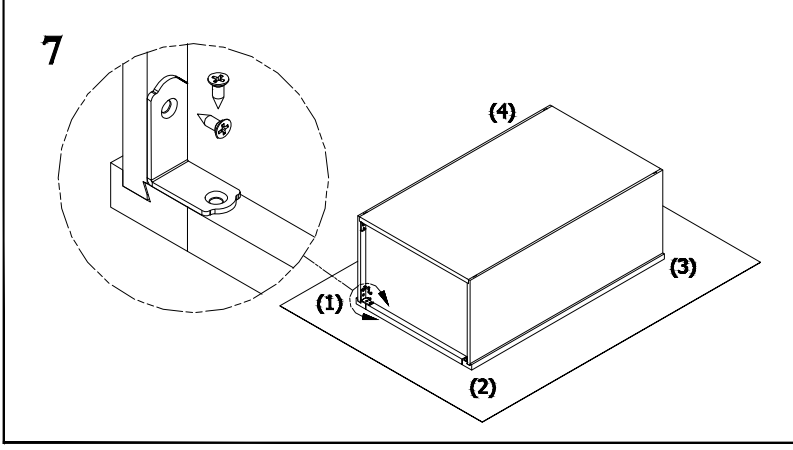
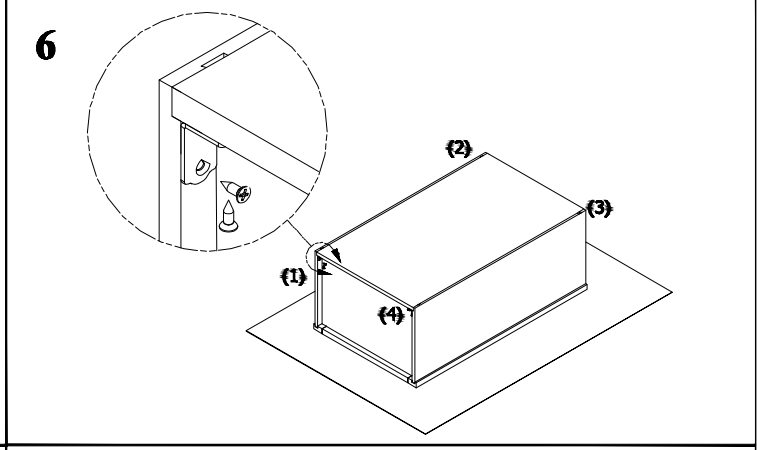
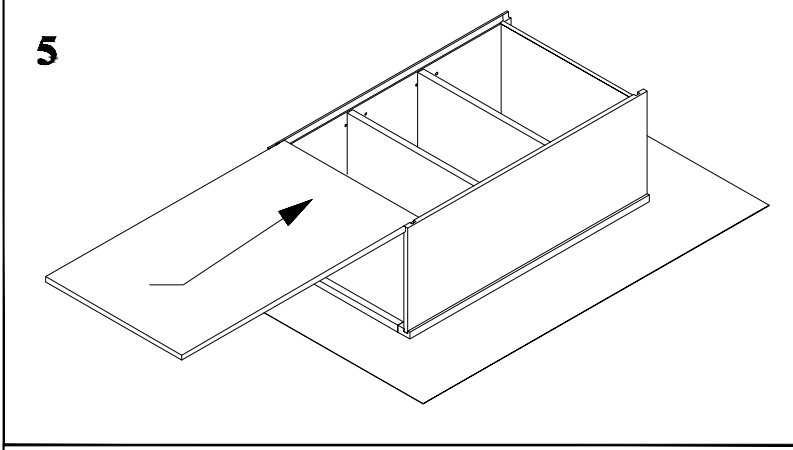
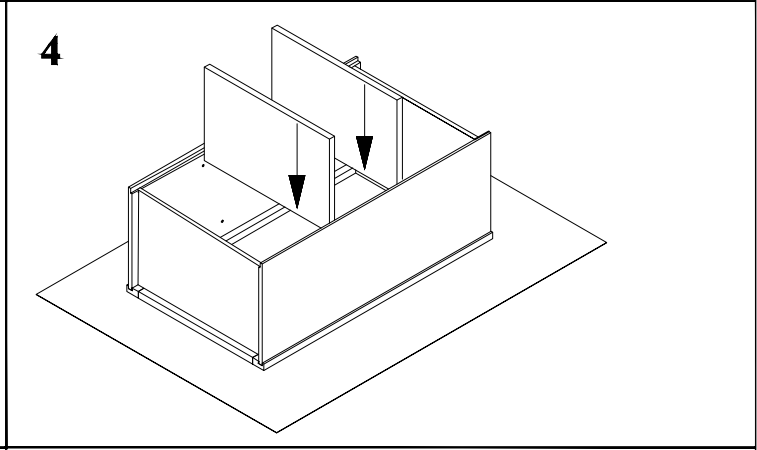
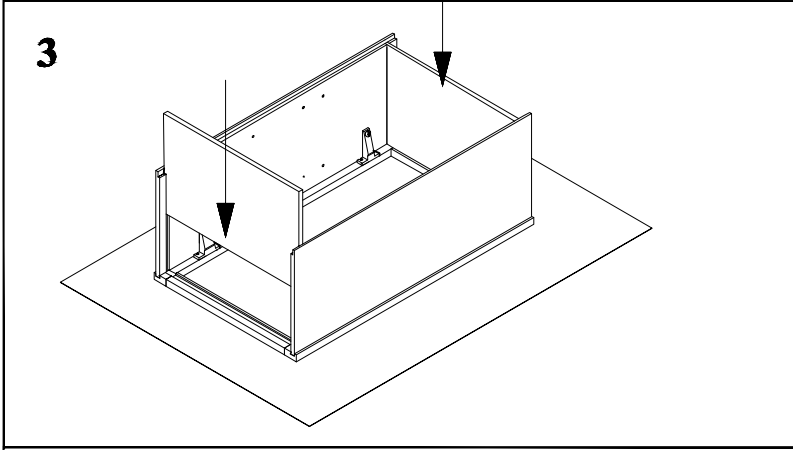
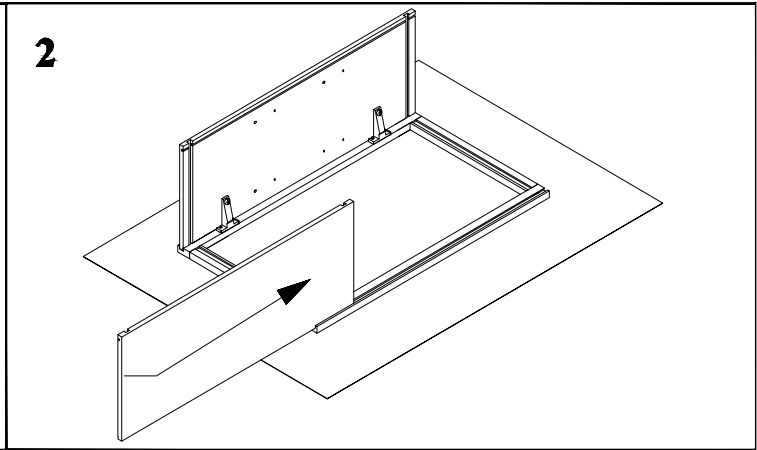
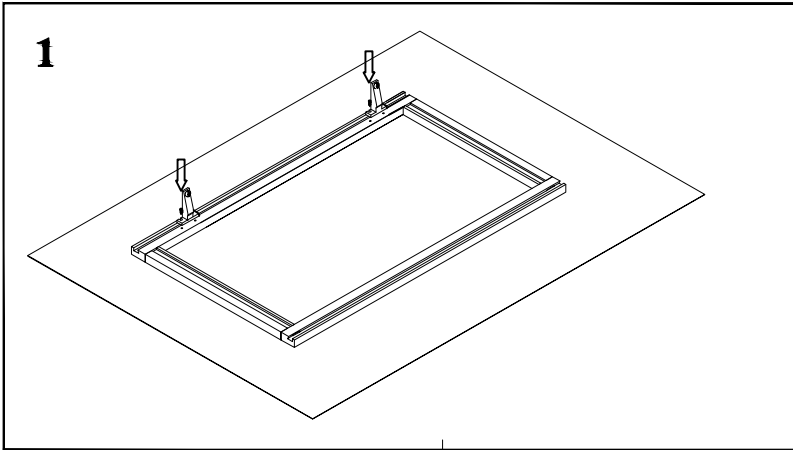
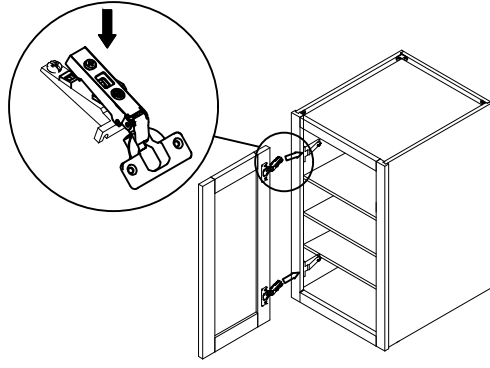




Wall Cabinets Assembly Instructions

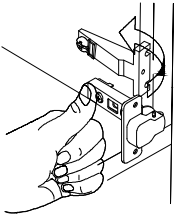


9

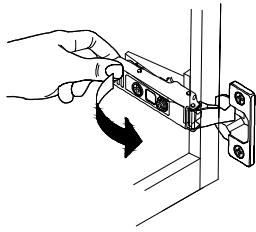


Hinge installation and adjustment

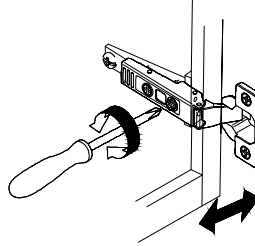
10



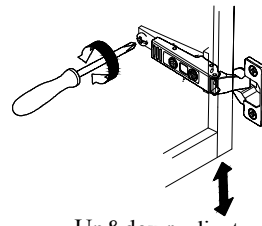
Click and lock



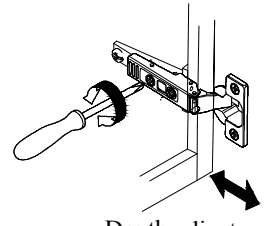
Click and remove



Side adjustment



Up&dowr adjustment



Depth adjustment

GD

